



新能源 **互联方案**

混合动力及纯电动 汽车电连接器

CONNECTOR FOR HYBRID AND PURE ELECTRIC VEHICLES

2024版



四川永贵科技有限公司 Sichuan Yonggui Science and Technology Co.,Ltd

地址: 四川省绵阳市涪城区金家林上街68号
Add: No.68.Jinjianlin upper street,Fucheng District,
Mianyang,Sichuan
邮编 / P.C: 621000
销售电话 / Sales tel: 0816-2538443
传真 / Fax: 0816-2536042
技术咨询 / Service of technical: 0816-2535471 2534847
网址 / Web: <http://www.yonggui-sc.com>



扫码关注我们

浙江永贵电器股份有限公司 Zhejiang Yonggui Electric Equipment Co., Ltd

四川永贵科技有限公司 Sichuan Yonggui Science and Technology Co., Ltd

总公司简介

浙江永贵电器股份有限公司

浙江永贵电器股份有限公司（证券简称“永贵电器”，证券代码“300351”），是创建于1973年的国家高新技术企业，公司产品覆盖轨道交通、特种、通信、新能源等各个领域；具有自主研发、规模制造、优质服务的完整体系。经中国证监会核准，2012年9月20日，永贵电器在深圳证券交易所成功上市。现有7家全资及控股子公司，员工2000多人，获得国家专利300余项。总部设在浙江天台。

永贵电器坚持自主创新、开放创新和协同创新，持续完善技术创新体系，形成强大的技术创新能力。公司拥有装备精良、工艺先进、专业化、规模化的制造基地，形成了连接器、门系统、贯通道（风挡）、减振器、计轴系统、轨道交通蓄电池系统、碳滑板等七大产品平台，制造水平处于行业领先地位。

面向未来，永贵电器将继续秉持“科技连接未来”的企业使命，大力实施国际化、多元化、协同化发展战略，打造“国内一流、国际知名”的优秀企业，努力把永贵电器建设成为以连接器为核心，多领域、多产业共同发展的高端装备系统解决方案供应商。

Zhejiang Yonggui Electric Equipment Co.,Ltd.(short name"Yonggui Electric Euipeint", stock code"300351")is a National High-Tech Enterprise established in 1973 which covers rail transit,special industry, telecommunication and new energy field, etc.; it has a complete system of Independent research and development,mass manufacture,an high quality service.It has gone public in Shenzhen Stock Exchange on September 20th 2012.Yonggui has seven wholly-owned and holding subsidiaries,more than 2,000 employees, access more than 300 items of national patents. Headquartered in Tiantai,Zhejiang.

Yonggui insists on independent innovation,open innovation and collaborative innovation and continuously technology innovation system to form a strong technology innovation capability.The company owns the professional and large-scale manufacture base with excellent equipments and advanced crafts,which forms seven product platforms of connector,door system, gangway, axle counting system,damper,storage batterysystem of rail transit and carbide sliding strip,and the manufacture level lies in the leading position of the induslty.

In the future, Yonggui will continue to carry out its mission that connects the future with technology.Yonggui will continuously create value for the clients and the society by committing itself to being first-class in China, internationally well-known,multi-field,multi-industry,high end equipment system solution manufacturer.



四川公司简介

Sichuan company profile

四川永贵科技有限公司
Sichuan Yonggui Science and Technology Co., Ltd



四川永贵科技有限公司创办于2008年，坐落于中国科技电子城绵阳市，公司建筑面积10.8万平方米，注册资本1亿元，资产总值11.2亿元人民币，系浙江永贵电器股份有限公司(股票名称:永贵电器,股票代码:300351)的全资子公司，是为国家重点装备业提供可靠连接器系列产品及技术服务，为互连系统提供整体解决方案的国家高新技术企业。

公司拥有一支具有丰富电连接器专业知识的专家队伍和管理团队，技术中心被评为省级技术中心，并成功开发出了广泛用于轨道交通、新能源、特种、通信、石油防爆、港口机械等领域的上万种规格的电连接系列产品。同时，公司产品直接或间接出口到全球十多个国家和地区，深得客户的好评。

公司先后通过了ISO9001质量管理体系、ISO14001环境管理体系、QHSAS18001职业健康与安全管理体系、IATF16949:2016质量管理体系、ISO/TS 22163质量管理体系、EN15085-2体系和ISO3834国际焊接体系认证。

公司产品通过了CRCC、ETL、UL等产品质量认证，通过了西门子、三菱、日立、东洋、艾默生等世界知名公司的供应商资质认证。也是中国中车股份有限公司的主要供应商。

Sichuan Yonggui Science and Technology Co., Ltd was established in 2008, located in Science, Education District, Mianyang. The Plan area is about 108,000 m², registered capital 100 million RMB, property nearly 1120 million RMB, it's the subsidiary company of Zhejiang Yonggui Electric Equipment Co., Ltd (stock name: Yonggui Electric Equipment, stock code: 300351), we support the reliable connector and connection system solution for National key equipment.

We established an expert and management team with rich knowledge of connector, the Technical Center have been identified as Enterprise Technical Center of Sichuan province, and successfully developed thousands of products widely use in Rail transit, Special industry, Communication, Petrochemicals, Clean energy, harbour machinery etc. At the same time, the company's products, directly or indirectly exported to more than 10 countries in the global and recognized by clients.

Company obtained the ISO9001, ISO14001, ISO18001, IATF16949:2016, ISO/TS 22163, EN15085-2, and ISO3834.

The products passed the CRCC, ETL, UL certification, and also passed the supplier qualified certification of Siemens, Mitsubishi, Hitachi, Toyo, and Emerson. We are the main supplier of CRCC.



永 贵 连 接
CONNECTORS OF YONGGUI

连 接 专 家
CONNECTING TO SPECIALISTS



产品目录

Product catalogue

新能源车互联系统连接器运用方案

Product application for electrical vehicle inter-connection

■ 高压连接器

High Voltage Connector

塑料外壳连接器 Plastic Shell Connector

| | | |
|--------------|------------------------|---------|
| YGEV1两芯连接器 | YGEV1-2Pin Connector |2 |
| YGEV1三芯连接器 | YGEV1-3Pin Connector |3 |
| YGEV2两芯连接器 | YGEV2-2Pin Connector |4 |
| YGEV2/1两芯连接器 | YGEV2/1-2Pin Connector |5 |
| YGEV2三芯连接器 | YGEV2-3Pin Connector |6 |
| YGEV2四芯连接器 | YGEV2-4Pin Connector |7 |
| YGEV2六芯连接器 | YGEV2-6Pin Connector |8 |
| YGEV4两芯连接器 | YGEV4-2Pin Connector |9 |
| YGEV5两芯连接器 | YGEV5-2Pin Connector |11 |
| YGEV6两芯连接器 | YGEV6-2Pin Connector |12 |
| YG1174两芯连接器 | YG1174-2Pin Connector |13 |
| YG1174三芯连接器 | YG1174-3Pin Connector |14 |
| YG1174四芯连接器 | YG1174-4Pin Connector |15 |
| YG722A两芯连接器 | YG722A-2Pin Connector |16 |
| YG1176两芯连接器 | YG1176-2Pin Connector |17 |
| YG1176D两芯连接器 | YG1176D-2Pin Connector |18 |
| YG1139两芯连接器 | YG1139-2Pin Connector |19 |
| YG1079两芯连接器 | YG1079-2Pin Connector |20 |
| YG1079三芯连接器 | YG1079-3Pin Connector |21 |

金属外壳连接器 Metal Shell Connector

| | | |
|----------------|--------------------------|---------|
| YG982两芯连接器 | YG982-2Pin Connector |22 |
| YG982三芯连接器 | YG982-3Pin Connector |23 |
| YG998C两芯连接器 | YG998C-2Pin Connector |24 |
| YG1033A/D两芯连接器 | YG1033A/D-2Pin Connector |25 |
| YG1141三芯连接器 | YG1141-3Pin Connector |27 |

永 贵 连 接
CONNECTORS OF YONGGUI

连 接 专 家
CONNECTING TO SPECIALISTS



产品目录

Product catalogue

新能源车互联系统连接器运用方案

Product application for electrical vehicle inter-connection

■ 电缆接头

Cable Connector

塑料外壳连接器 Plastic Shell Connector

| | | |
|----------------|--------------------------|---------|
| YG196-529连接器 | YG196-529 Connector |29 |
| YG196-378三芯连接器 | YG196-378-3Pin Connector |30 |
| YG196-379两芯连接器 | YG196-379-2Pin Connector |31 |
| YG196-380连接器 | YG196-380 Connector |32 |

金属外壳连接器 Metal Shell Connector

| | | |
|----------------|--------------------------|---------|
| YG196-459两芯连接器 | YG196-459-2Pin Connector |33 |
| YG196-510三芯连接器 | YG196-510-3Pin Connector |34 |
| YG196-436两芯连接器 | YG196-436-2Pin Connector |35 |
| YG196-436三芯连接器 | YG196-436-3Pin Connector |36 |

■ 信号连接器

Signal Connector

| | | |
|-----------|------------------|---------|
| YG1024连接器 | YG1024 Connector |38 |
| YG1146连接器 | YG1146 Connector |39 |

■ 手动维护开关

Manual Service Disconnect

| | | |
|-----------|------------------|---------|
| YG1040连接器 | YG1040 Connector |42 |
| YG1052连接器 | YG1052 Connector |42 |
| YG1130连接器 | YG1130 Connector |42 |

■ 集成线束

Integrated Wiring Harness

| |
|---------|
|44 |
|---------|

■ 高压盒

High Voltage Box

| |
|---------|
|47 |
|---------|

■ 新能源合作伙

Partner in New Energi



电池/电机用高压大电流连接器

High voltage and high current connectors for batteries/motors



充电机用高压小电流连接器

High voltage low current connector for charging machines



高压分线盒/BDU

PDU/BDU



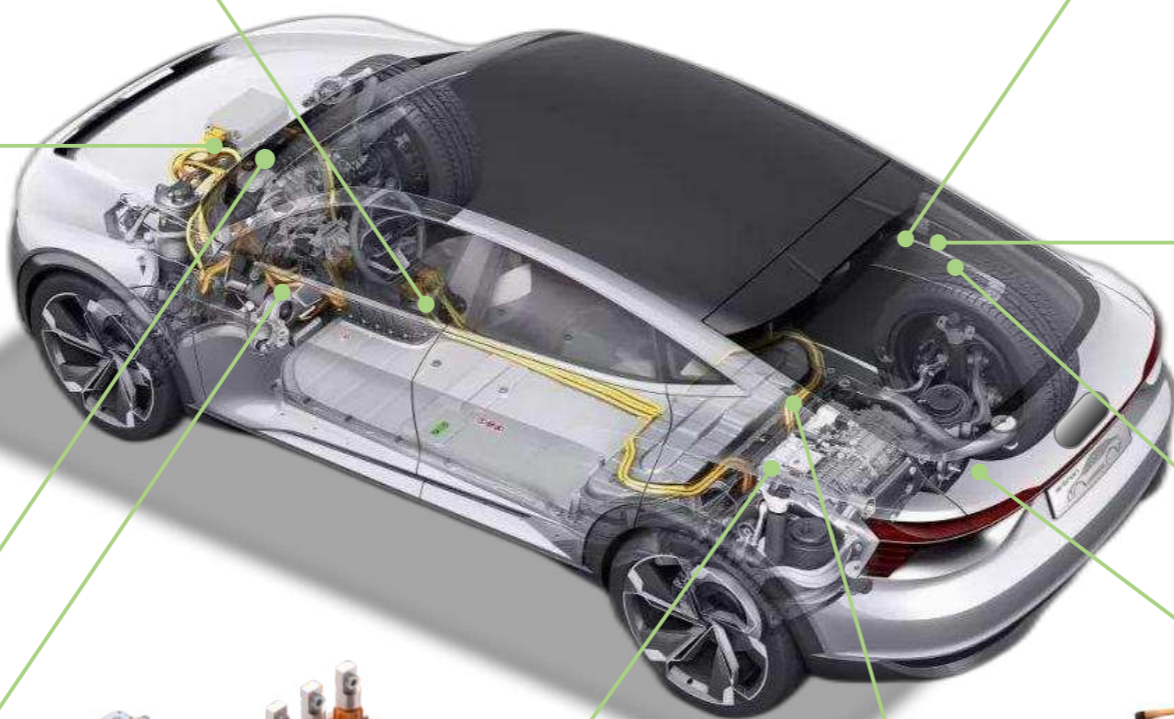
空调压缩机/PTC用高压连接器

High voltage connectors for air conditioning compressors /PTC



电池/电机用高压连接器

High voltage connectors for batteries/motors



直流车辆插座

DC vehicle inlet



直流车辆插头

DC vehicle connector



交流车辆插座

AC vehicle inlet



交流车辆插头

AC vehicle connector



交直流一体式插座

AC/DC integrated vehicle inlet



大功率液冷直流充电枪

High power liquid cooled DC vehicle connector



整车高压线束

Vehicle high voltage wiring harness

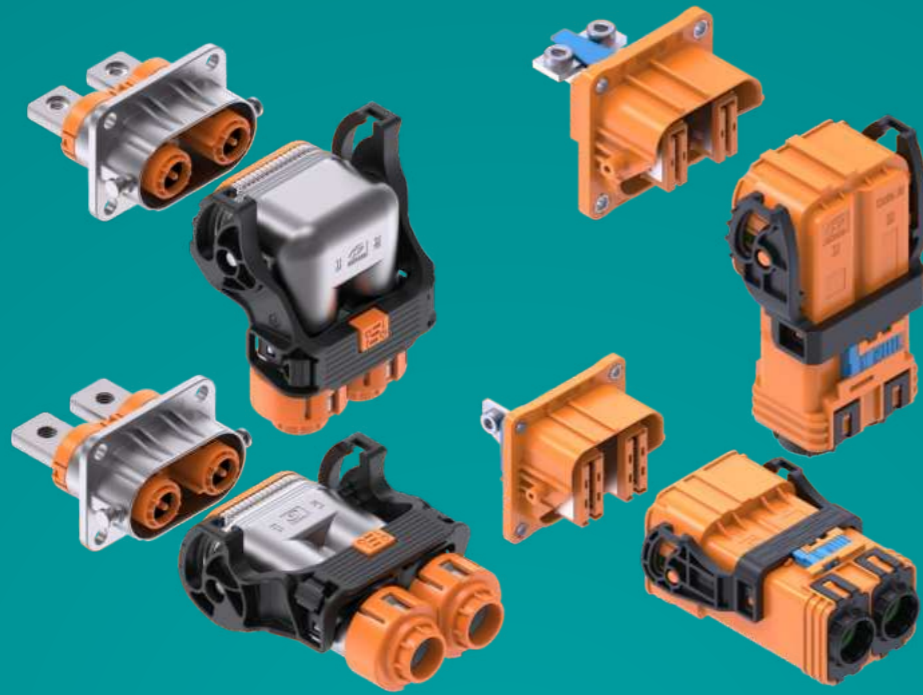


随车交流充电枪

Onboard AC vehicle connector

车型图片仅作展示参考，不代表实际应用车型

Pictures of vehicles are for reference only and do not represent the actual vehicles used



高压连接器



HIGH VOLTAGE CONNECTOR

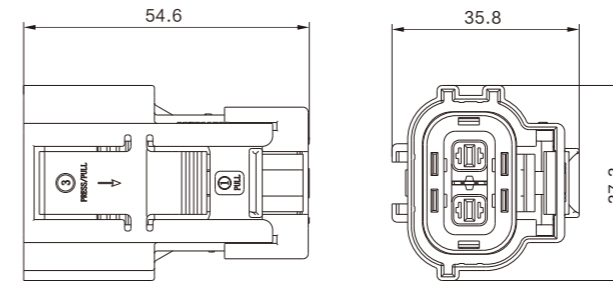
YGEV1-2PIN

| 应用范围 Application |
|--|
| <ul style="list-style-type: none"> ● 空调压缩机、PTC、充电机、DCDC、高压盒 Air Condition Compressor, PTC, OBC, DCDC, PDU, BDU |
| 产品描述 Description |
| <ul style="list-style-type: none"> ● 二次锁紧 Secondary Lock Function ● 线径范围 Cable Range: 2.5 ~ 4mm² ● 防呆键位 Poka-yoke ● 高压互锁 HVIL ● 触电防护 Touch-proof ● 360° 屏蔽 360° shielding |
| 性能参数 Specification |
| <ul style="list-style-type: none"> ● 额定电流 Rated Current: 功率 Power 16A(2.5mm²) 20A(4mm²) 信号 Signal 2A(0.5mm²) ● 额定电压 Rated Voltage: 功率 Power 800V(AC/DC) 信号 Signal 24V (AC/DC) ● 耐电压 Dielectric Withstanding Voltage: 功率 Power 3000V AC 50HZ(常态Normal) 信号 Signal 1000V AC 50HZ(常态Normal) ● 工作温度 Temperature Range: -40℃ ~ +125℃ ● 防护等级 IP Rating: IP67&IP6K9K、IPXXB |



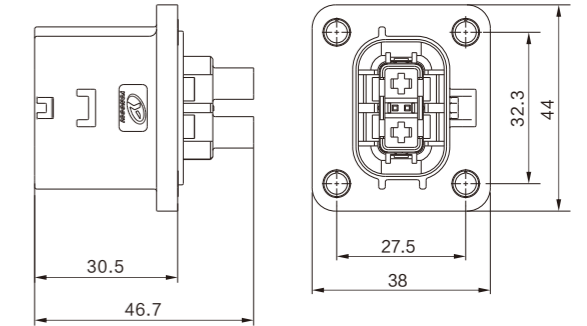
YGEV1两芯直式插头

YGEV1 2-Pin 180° Plug



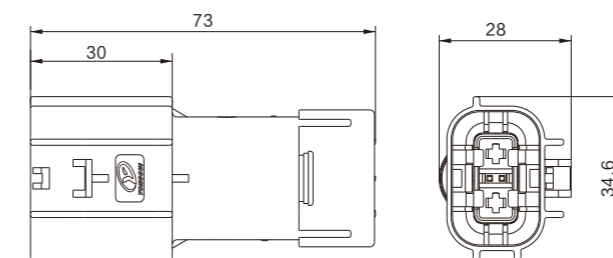
YGEV1两芯插座

YGEV1 2-Pin Receptacle



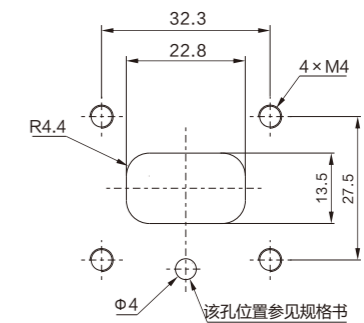
YGEV1两芯插座(移动式)

YGEV1 2-Pin Receptacle(Wire to wire)



YGEV1两芯安装开孔尺寸

YGEV1 2-Pin Mounting Interface Design



高压连接器

电缆接头

信号连接器

手动维护开关

集成线束

高压盒

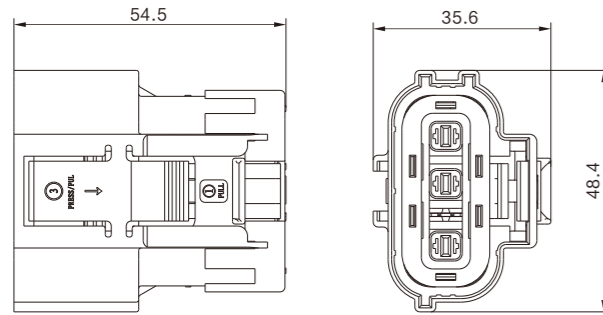
YGEV1 -3PIN

| 应用范围 Application |
|--|
| <ul style="list-style-type: none"> ● 充电机、油泵、气泵、高压盒 <p>OBC、Oil Pump Controller、Air Pump Controller、PDU、BDU</p> |
| 产品描述 Description |
| <ul style="list-style-type: none"> ● 二次锁紧 Secondary Lock Function ● 线径范围 Cable Range: 2.5mm² ● 防呆键位 Poka-yoke ● 高压互锁 HVIL ● 触电防护 Touch-proof ● 360° 屏蔽 360° shielding |
| 性能参数 Specification |
| <ul style="list-style-type: none"> ● 额定电流 Rated Current: <p>功率 Power 16A(2.5mm²)</p> <p>信号 Signal 2A(0.5mm²) ● 额定电压 Rated Voltage: <p>功率 Power 800V(AC/DC)</p> <p>信号 Signal 24V (AC/DC)</p> ● 耐电压 Dielectric Withstanding Voltage: <p>功率 Power 3000V AC 50HZ(常态Normal)</p> <p>信号 Signal 1000V AC 50HZ(常态Normal)</p> ● 工作温度 Temperature Range: -40℃ ~ +125℃ ● 防护等级 IP Rating: IP67&IP6K9K、IPXXB </p> |



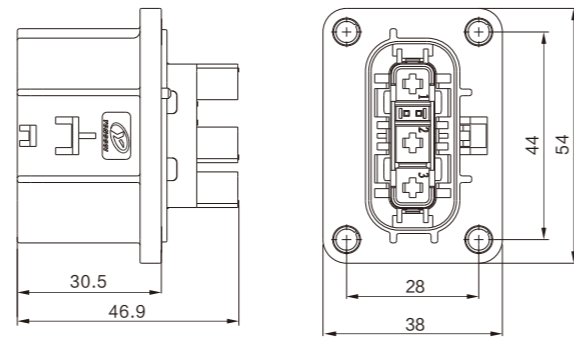
YGEV1三芯直式插头

YGEV1 3-Pin 180° Plug



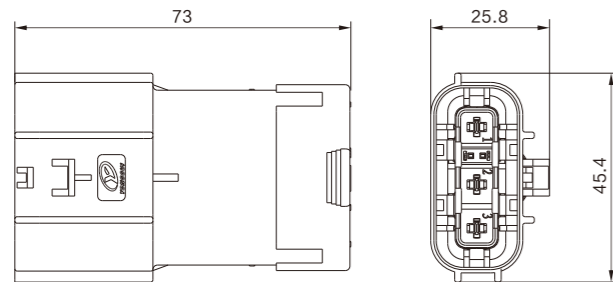
YGEV1三芯插座

YGEV1 3-Pin Receptacle



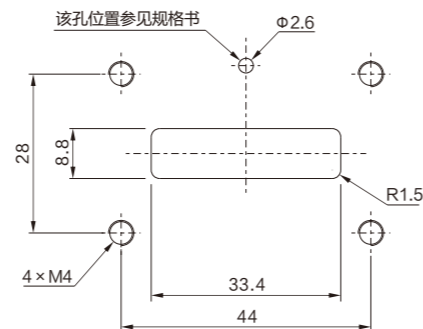
YGEV1三芯插座(移动式)

YGEV1 3-Pin Receptacle(Wire to wire)



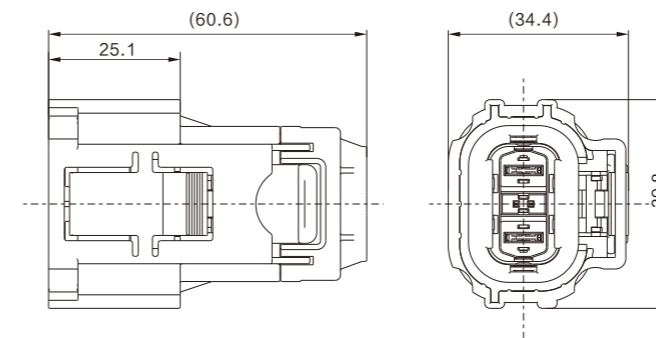
YGEV1三芯安装开孔尺寸

YGEV1 3-Pin Mounting Interface Design



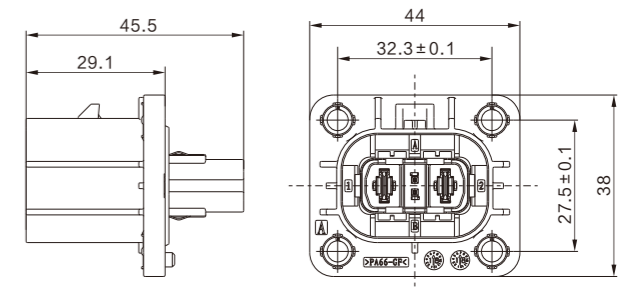
YGEV2两芯直式插头

YGEV2 2-Pin 180° Plug



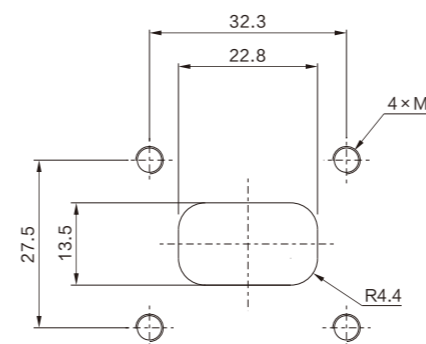
YGEV2两芯直式插座

YGEV2 2-Pin 180° Receptacle



YGEV2两芯直式插座安装开孔尺寸

YGEV2 2-Pin 180° Receptacle Mounting Interface Design



YGEV2 -2PIN

| 应用范围 Application |
|--|
| <ul style="list-style-type: none"> ● 空调压缩机、PTC、充电机、DCDC、高压盒 <p>Air Condition Compressor、PTC、OBC、DCDC、PDU、BDU</p> |
| 产品描述 Description |
| <ul style="list-style-type: none"> ● 二次锁紧 Secondary Lock Function ● 线径范围 Cable Range: 2.5~6mm² ● 防呆键位 Poka-yoke ● 高压互锁 HVIL ● 触电防护 Touch-proof ● 360° 屏蔽 360° shielding |
| 性能参数 Specification |
| <ul style="list-style-type: none"> ● 额定电流 Rated Current: <p>功率 Power 20A(2.5mm²) 32A(4mm²) 40A(6mm²)</p> <p>信号 Signal 2A(0.35mm²) ● 额定电压 Rated Voltage: <p>功率 Power 1000V(AC/DC)</p> <p>信号 Signal 24V (AC/DC)</p> ● 耐电压 Dielectric Withstanding Voltage: <p>功率 Power 3000V AC 50HZ(常态Normal)</p> <p>信号 Signal 1000V AC 50HZ(常态Normal)</p> ● 工作温度 Temperature Range: -40℃ ~ +125℃ ● 防护等级 IP Rating: IP67&IP6K9K、IPXXB </p> |



高压连接器

电缆接头

信号连接器

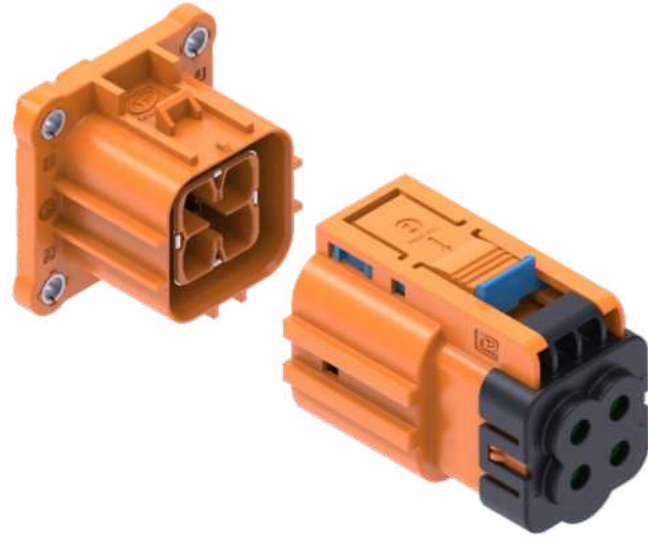
手动维护开关

集成线束

高压盒

YGEV2-4PIN

| 应用范围 Application |
|--|
| <ul style="list-style-type: none"> ● 空调压缩机、PTC、充电机、高压盒 <p>Air Condition Compressor, PTC, OBC, PDU</p> |
| 产品描述 Description |
| <ul style="list-style-type: none"> ● 二次锁紧 Secondary Lock Function ● 线径范围 Cable Range: 2.5~6mm² ● 防呆键位 Poka-yoke ● 高压互锁 HVIL ● 触电防护 Touch-proof ● 360° 屏蔽 360° shielding |
| 性能参数 Specification |
| <ul style="list-style-type: none"> ● 额定电流 Rated Current: <p>功率 Power 20A(2.5mm²) 30A(4mm²) 40A(6mm²)</p> <p>信号 Signal 2A(0.35mm²) ● 额定电压 Rated Voltage: <p>功率 Power 1000V(AC/DC)</p> <p>信号 Signal 24V (AC/DC) ● 耐电压 Dielectric Withstanding Voltage: <p>功率 Power 3000V AC 50HZ(常态Normal)</p> <p>信号 Signal 1000V AC 50HZ(常态Normal) ● 工作温度 Temperature Range: -40℃ ~ +125℃ ● 防护等级 IP Rating: IP67&IP6K9K、IPXXB </p></p></p> |

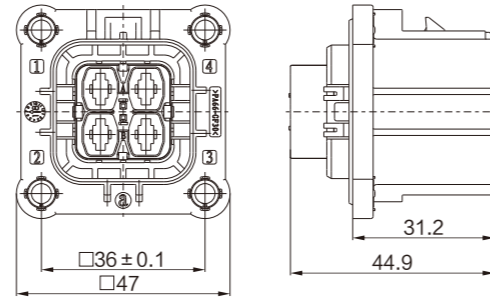
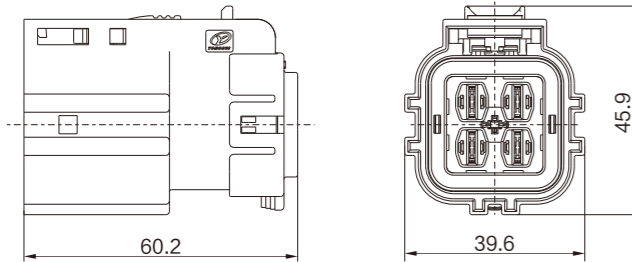


YGEV2-S4PA直式插头

YGEV2-S4PA 180° Plug

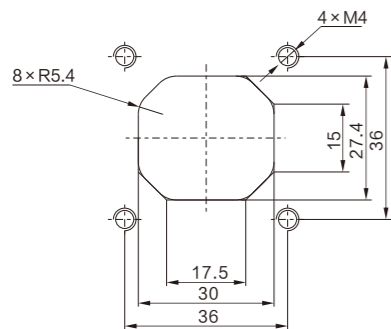
YGEV2-P4RA插座

YGEV2-P4RA Receptacle



YGEV2-四芯安装开孔尺寸

YGEV2 4-Pin Mounting Interface Design



YGEV2-6PIN

| 应用范围 Application |
|--|
| <ul style="list-style-type: none"> ● 充电机、高压盒 <p>OBC, BDU</p> |
| 产品描述 Description |
| <ul style="list-style-type: none"> ● 二次锁紧 Secondary Lock Function ● 线径范围 Cable Range: 2.5~6mm² ● 防呆键位 Poka-yoke ● 高压互锁 HVIL ● 触电防护 Touch-proof ● 360° 屏蔽 360° shielding |
| 性能参数 Specification |
| <ul style="list-style-type: none"> ● 额定电流 Rated Current: <p>功率 Power 25A(2.5mm²) 30A(4mm²) 35A(6mm²)</p> <p>信号 Signal 2A(0.35mm²) ● 额定电压 Rated Voltage: <p>功率 Power 1000V(AC/DC)</p> <p>信号 Signal 24V (AC/DC) ● 耐电压 Dielectric Withstanding Voltage: <p>功率 Power 3000V AC 50HZ(常态Normal)</p> <p>信号 Signal 1000V AC 50HZ(常态Normal) ● 工作温度 Temperature Range: -40℃ ~ +125℃ ● 防护等级 IP Rating: IP67&IP6K9K、IPXXB </p></p></p> |

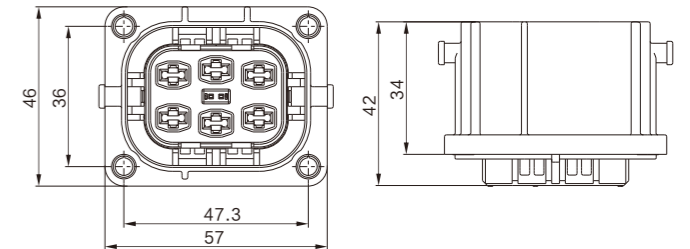
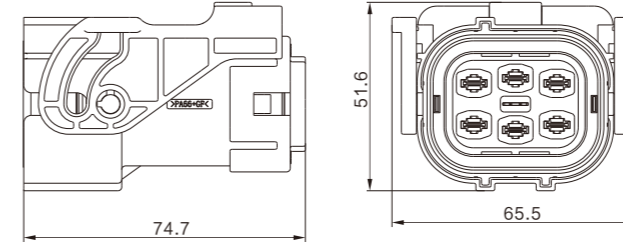


YGEV2六芯直式插头

YGEV2 6-Pin 180° Plug

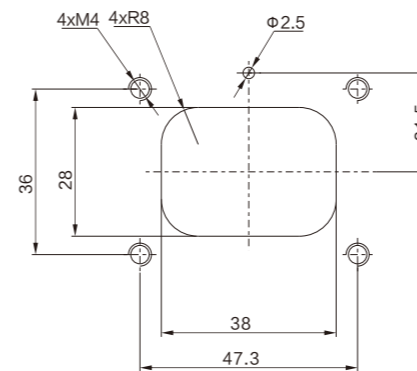
YGEV2六芯直式插座

YGEV2 6-Pin 180° Receptacle



YGEV2六芯直式插座安装开孔尺寸

YGEV2 6-Pin 180° Receptacle Mounting Interface Design



高压连接器

电缆接头

信号连接器

手动维护开关

集成线束

高压盒

高压连接器

电缆接头

信号连接器

手动维护开关

集成线束

高压盒

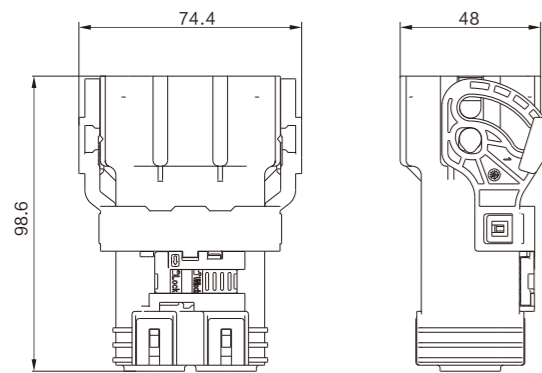
YGEV4-2PIN

| 应用范围 Application |
|---|
| <ul style="list-style-type: none"> ● 电池、电控、高压盒 <p>Battery, Motor Controller, PDU</p> |
| 产品描述 Description |
| <ul style="list-style-type: none"> ● 二次锁紧 Secondary Lock Function ● 线径范围 Cable Range: 35 ~ 50mm² ● 防呆键位 Poka-yoke ● 高压互锁 HVIL ● 触电防护 Touch-proof ● 360° 屏蔽 360° shielding |
| 性能参数 Specification |
| <ul style="list-style-type: none"> ● 额定电流 Rated Current: <p>功率 Power 150A(35mm²) 220A(50mm²)</p> <p>信号 Signal 2A(0.35mm²)</p> <ul style="list-style-type: none"> ● 额定电压 Rated Voltage: <p>功率 Power 1000V(AC/DC)</p> <p>信号 Signal 24V (AC/DC)</p> <ul style="list-style-type: none"> ● 耐电压 Dielectric Withstanding Voltage: <p>功率 Power 3000V AC 50HZ(常态Normal)</p> <p>信号 Signal 1000V AC 50HZ(常态Normal)</p> <ul style="list-style-type: none"> ● 工作温度 Temperature Range: -40℃ ~ +125℃ ● 防护等级 IP Rating: IP67&IP6K9K、IPXXB |



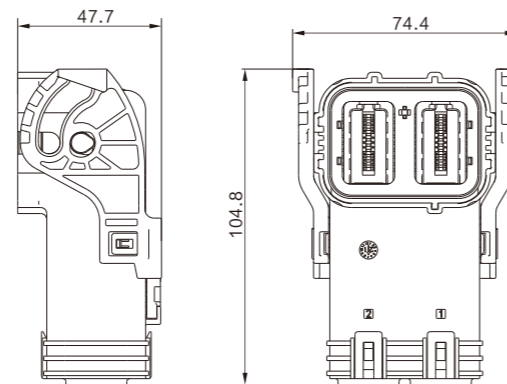
YGEV4A两芯180° 插头

YGEV4A 2-Pin 180° Plug



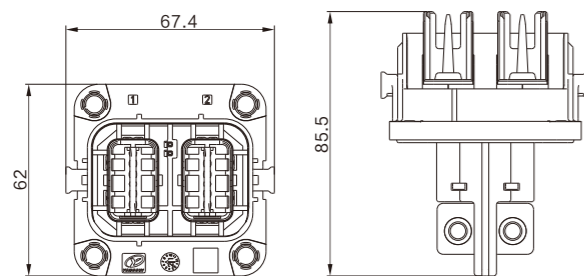
YGEV4A两芯90° 插头

YGEV4A 2-Pin 90° Plug



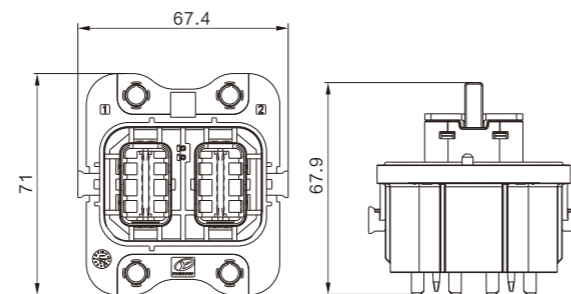
YGEV4A1两芯插座

YGEV4A1 2-Pin Receptacle



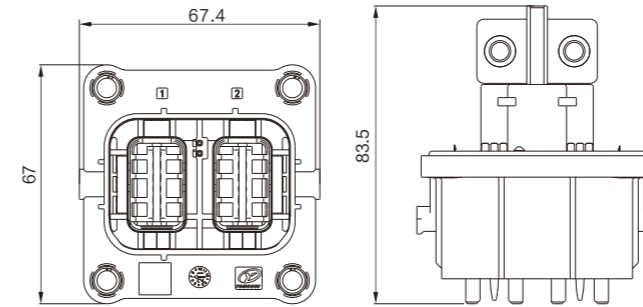
YGEV4A2两芯插座

YGEV4A2 2-Pin Receptacle



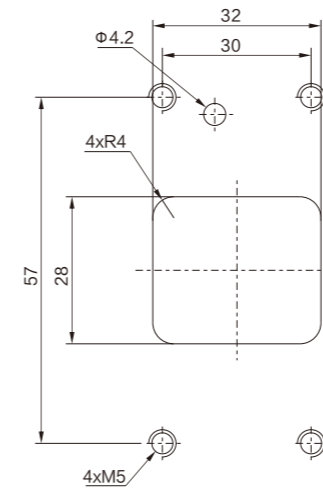
YGEV4A4两芯插座

YGEV4A4 2-Pin Receptacle



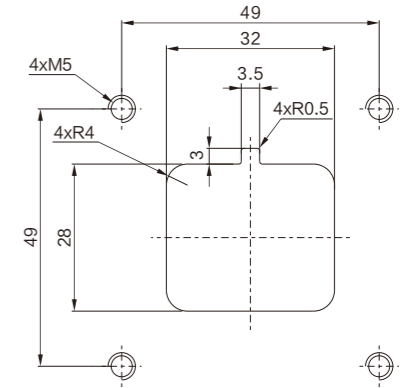
YGEV4A2两芯安装开孔尺寸

YGEV4A2 2-Pin Mounting Interface Design



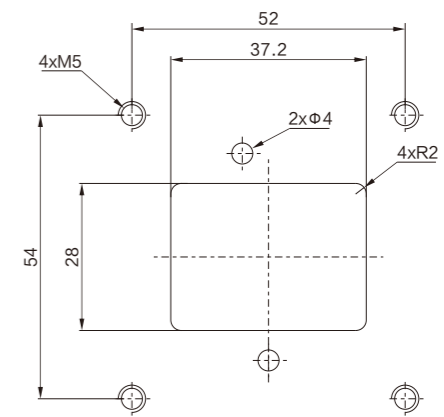
YGEV4A1两芯安装开孔尺寸

YGEV4A1 2-Pin Mounting Interface Design



YGEV4A4两芯安装开孔尺寸

YGEV4A4 2-Pin Mounting Interface Design



高压连接器
High Voltage Connector

电缆接头
Cable Connector

信号连接器
Signal Connector

手动维护开关
Manual Service Disconnect

集成线束
Integrated Wiring Harness

高压盒
High Voltage Box

高压连接器
High Voltage Connector

电缆接头
Cable Connector

信号连接器
Signal Connector

手动维护开关
Manual Service Disconnect

集成线束
Integrated Wiring Harness

高压盒
High Voltage Box



YGEV5-2PIN

| 应用范围 Application |
|--|
| <ul style="list-style-type: none"> ● 电池、电控、高压盒 <p>Battery, Motor Controller, PDU</p> |
| 产品描述 Description |
| <ul style="list-style-type: none"> ● 二次锁紧 Secondary Lock Function ● 线径范围 Cable Range: 50 ~ 70mm² ● 防呆键位 Poka-yoke ● 高压互锁 HVIL ● 触电防护 Touch-proof ● 360° 屏蔽 360° shielding |
| 性能参数 Specification |
| <ul style="list-style-type: none"> ● 额定电流 Rated Current: 功率 Power 200A(50mm²) 300A(70mm²) 信号 Signal 2A(0.35mm²) ● 额定电压 Rated Voltage: 功率 Power 1000V(AC/DC) 信号 Signal 24V (AC/DC) ● 耐电压 Dielectric Withstanding Voltage: 功率 Power 3000V AC 50HZ(常态Normal) 信号 Signal 1000V AC 50HZ(常态Normal) ● 工作温度 Temperature Range: -40℃ ~ +125℃ ● 防护等级 IP Rating: IP67&IP6K9K、IPXXB |



高压连接器
High Voltage Connector

电缆接头
Cable Connector

信号连接器
Signal Connector

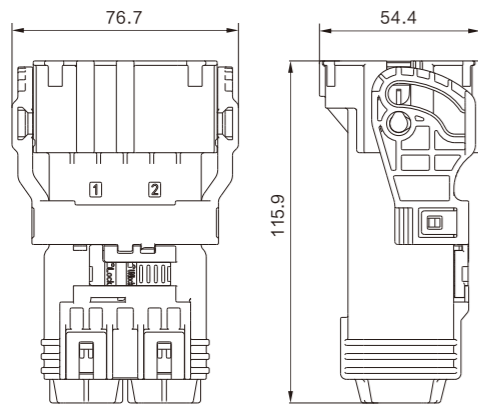
手动维护开关
Manual Service Disconnect

集成线束
Integrated Wiring Harness

高压盒
High Voltage Box

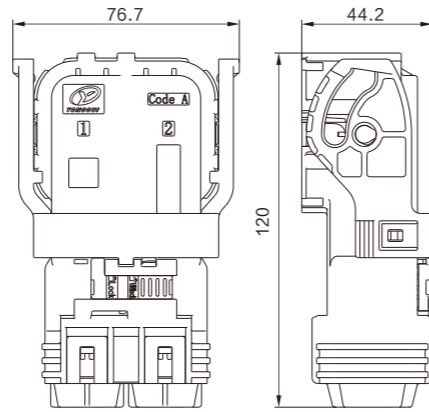
YGEV5两芯180° 插头

YGEV5 2-Pin 180° Plug



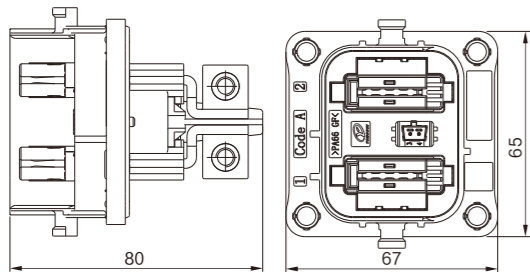
YGEV5两芯90° 插头

YGEV5 2-Pin 90° Plug



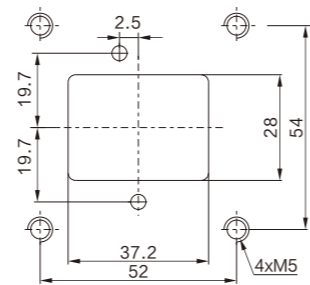
YGEV5两芯插座

YGEV5 2-Pin Receptacle



YGEV5两芯安装开孔尺寸

YGEV5 2-Pin Mounting Interface Design



YGEV6-2PIN

| 应用范围 Application |
|--|
| <ul style="list-style-type: none"> ● 电池、电控、高压盒 <p>Battery, Motor Controller, PDU</p> |
| 产品描述 Description |
| <ul style="list-style-type: none"> ● 二次锁紧 Secondary Lock Function ● 线径范围 Cable Range: 70 ~ 95mm² ● 防呆键位 Poka-yoke ● 高压互锁 HVIL ● 触电防护 Touch-proof ● 360° 屏蔽 360° shielding |
| 性能参数 Specification |
| <ul style="list-style-type: none"> ● 额定电流 Rated Current: 功率 Power 300A(70mm²) 400A(95mm²) 信号 Signal 2A(0.35mm²) ● 额定电压 Rated Voltage: 功率 Power 1000V(AC/DC) 信号 Signal 24V (AC/DC) ● 耐电压 Dielectric Withstanding Voltage: 功率 Power 3000V AC 50HZ(常态Normal) 信号 Signal 1000V AC 50HZ(常态Normal) ● 工作温度 Temperature Range: -40℃ ~ +125℃ ● 防护等级 IP Rating: IP67&IP6K9K、IPXXB |



高压连接器
High Voltage Connector

电缆接头
Cable Connector

信号连接器
Signal Connector

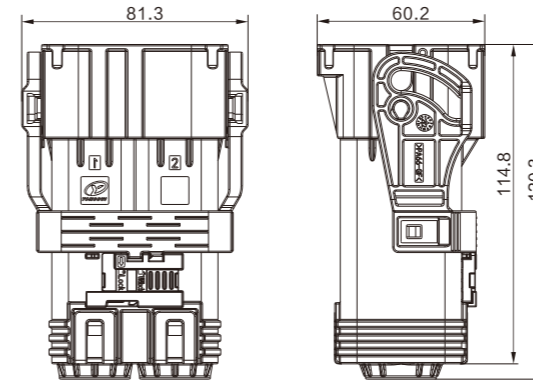
手动维护开关
Manual Service Disconnect

集成线束
Integrated Wiring Harness

高压盒
High Voltage Box

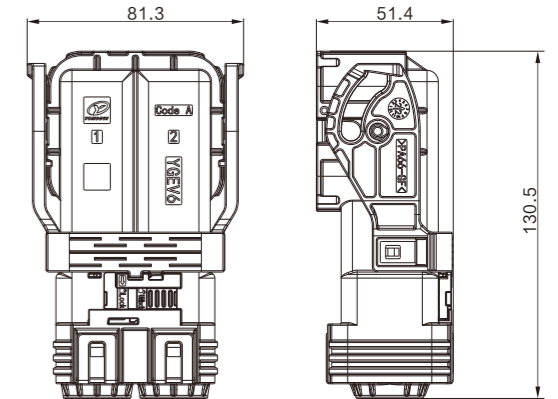
YGEV6-A两芯180° 插头

YGEV6-A 2-Pin 180° Plug



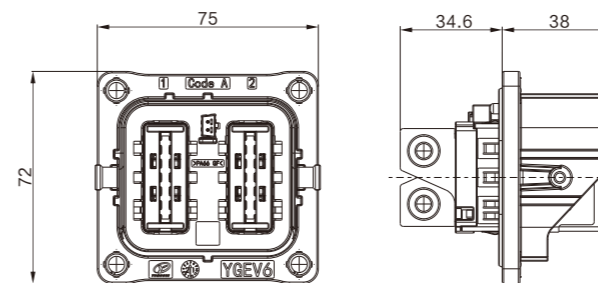
YGEV6-A两芯90° 插头

YGEV6-A 2-Pin 90° Plug



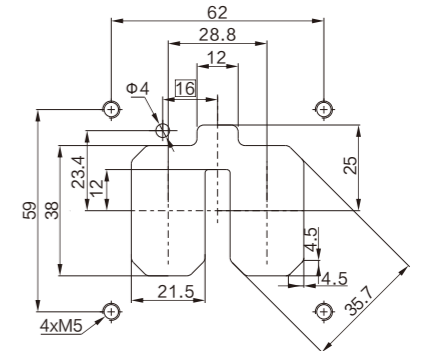
YGEV6两芯插座

YGEV6 2-Pin Receptacle



YGEV6-A两芯安装开孔尺寸

YGEV6-A 2-Pin Mounting Interface Design

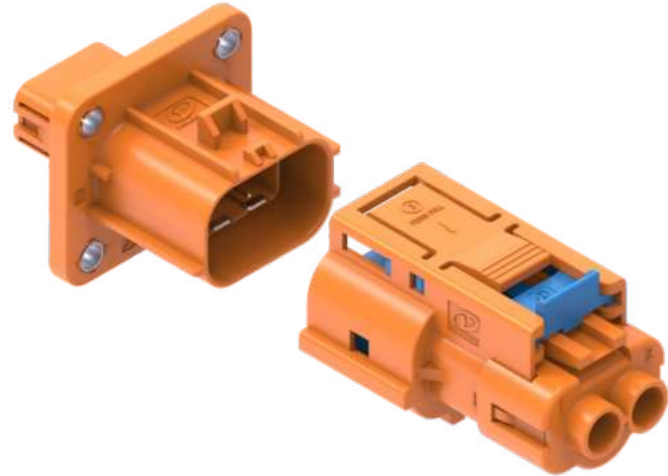


键位A



YG1174-2PIN

| 应用范围 Application |
|--|
| <ul style="list-style-type: none"> ● 充电机、空调压缩机、PTC、高压盒 ● OBC、Air Condition Compressor、PTC、PDU |
| 产品描述 Description |
| <ul style="list-style-type: none"> ● 二次锁紧 Secondary Lock Function ● 线径范围 Cable Range: 4mm² ● 防呆键位 Poka-yoke ● 高压互锁 HVIL ● 触电防护 Touch-proof ● 360° 屏蔽 360° shielding |
| 性能参数 Specification |
| <ul style="list-style-type: none"> ● 额定电流 Rated Current: 功率 Power 24A(4mm²) 信号 Signal 2A(0.35mm²) ● 额定电压 Rated Voltage: 功率 Power 800V(AC/DC) 信号 Signal 24V (AC/DC) ● 耐电压 Dielectric Withstanding Voltage: 功率 Power 3000V AC 50HZ(常态Normal) 信号 Signal 1000V AC 50HZ(常态Normal) ● 工作温度 Temperature Range: -40℃ ~ +125℃ ● 防护等级 IP Rating: IP67&IP6K9K、IPXXB |

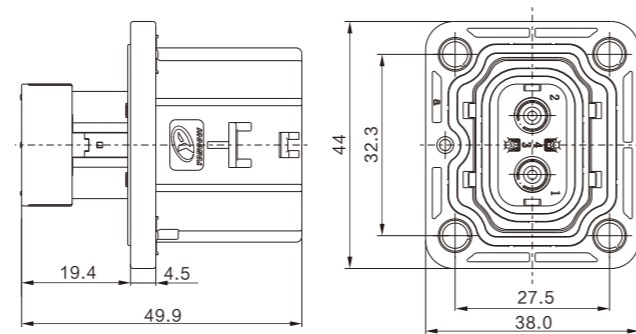
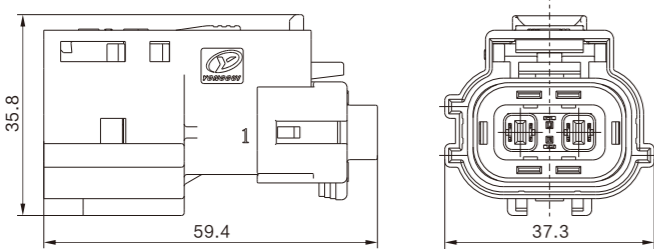


YG1174两芯直式插头

YG1174 2-Pin 180° Plug

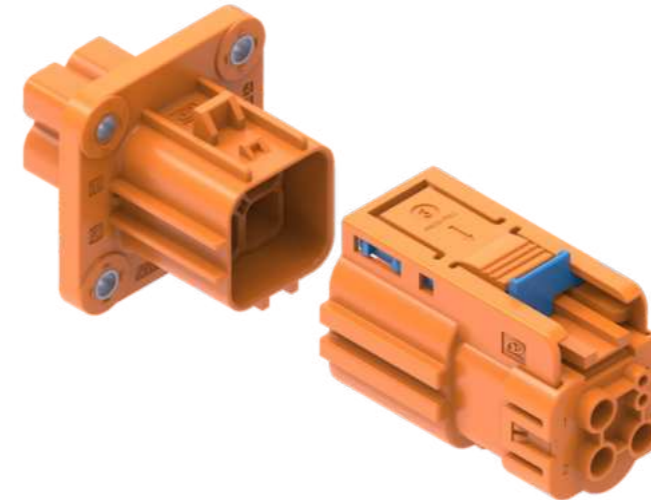
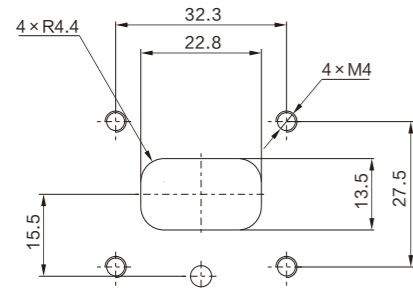
YG1174两芯插座

YG1174 2-Pin Receptacle



YG1174两芯安装开孔尺寸

YG1174 2-Pin Mounting Interface Design

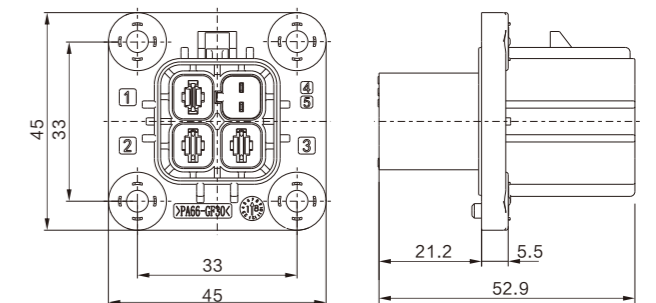
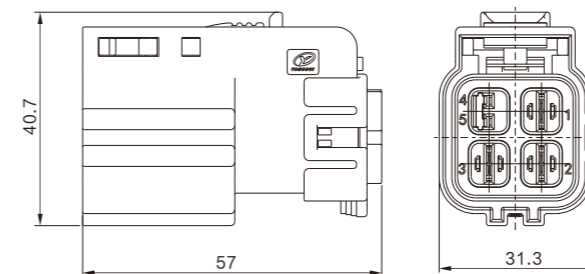


YG1174三芯直式插头

YG1174 3-Pin 180° Plug

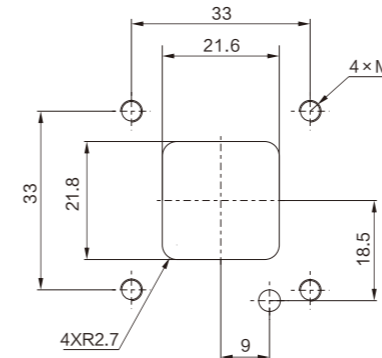
YG1174三芯插座

YG1174 3-Pin Receptacle



YG1174三芯安装开孔尺寸

YG1174 3-Pin Mounting Interface Design



高压连接器
High Voltage Connector

电缆接头
Cable Connector

信号连接器
Signal Connector

手动维护开关
Manual Service Disconnect

集成线束
Integrated Wiring Harness

高压盒
High Voltage Box

高压连接器
High Voltage Connector

电缆接头
Cable Connector

信号连接器
Signal Connector

手动维护开关
Manual Service Disconnect

集成线束
Integrated Wiring Harness

高压盒
High Voltage Box



YG1174-4PIN

| 应用范围 Application |
|--|
| <ul style="list-style-type: none"> ● 充电机、空调压缩机、PTC、高压盒 |
| OBC、Air Condition Compressor、PTC、PDU |
| 产品描述 Description |
| <ul style="list-style-type: none"> ● 二次锁紧 Secondary Lock Function ● 线径范围 Cable Range: 4~6mm² ● 防呆键位 Poka-yoke ● 高压互锁 HVIL ● 触电防护 Touch-proof ● 360° 屏蔽 360° shielding |
| 性能参数 Specification |
| <ul style="list-style-type: none"> ● 额定电流 Rated Current: |
| 功率 Power 30A(4mm ²) 40A(6mm ²) |
| 信号 Signal 2A(0.5mm ²) |
| <ul style="list-style-type: none"> ● 额定电压 Rated Voltage: |
| 功率 Power 800V(AC/DC) |
| 信号 Signal 24V (AC/DC) |
| <ul style="list-style-type: none"> ● 耐电压 Dielectric Withstanding Voltage: |
| 功率 Power 3000V AC 50HZ(常态Normal) |
| 信号 Signal 1000V AC 50HZ(常态Normal) |
| <ul style="list-style-type: none"> ● 工作温度 Temperature Range: -40℃ ~ +125℃ ● 防护等级 IP Rating: IP67&IP6K9K、IPXXB |



YG722A-2PIN

| 应用范围 Application |
|--|
| <ul style="list-style-type: none"> ● 充电机、油泵、气泵、高压盒 |
| OBC、Oil Pump Controller、Air Pump Controller、PDU |
| 产品描述 Description |
| <ul style="list-style-type: none"> ● 二次锁紧 Secondary Lock Function ● 线径范围 Cable Range: 2.5~6mm² ● 防呆键位 Poka-yoke ● 高压互锁 HVIL ● 触电防护 Touch-proof ● 360° 屏蔽 360° shielding |
| 性能参数 Specification |
| <ul style="list-style-type: none"> ● 额定电流 Rated Current: |
| 功率 Power 16A(2.5mm ²) 30A(4mm ²) 40A(6mm ²) |
| 信号 Signal 2A(0.5mm ²) |
| <ul style="list-style-type: none"> ● 额定电压 Rated Voltage: |
| 功率 Power 1000V(AC/DC) |
| 信号 Signal 24V (AC/DC) |
| <ul style="list-style-type: none"> ● 耐电压 Dielectric Withstanding Voltage: |
| 功率 Power 3000V AC 50HZ(常态Normal) |
| 信号 Signal 1000V AC 50HZ(常态Normal) |
| <ul style="list-style-type: none"> ● 工作温度 Temperature Range: -40℃ ~ +125℃ ● 防护等级 IP Rating: IP67&IP6K9K、IPXXB |

YG1174四芯直式插头

YG1174 4-Pin 180° Plug

YG1174四芯插座

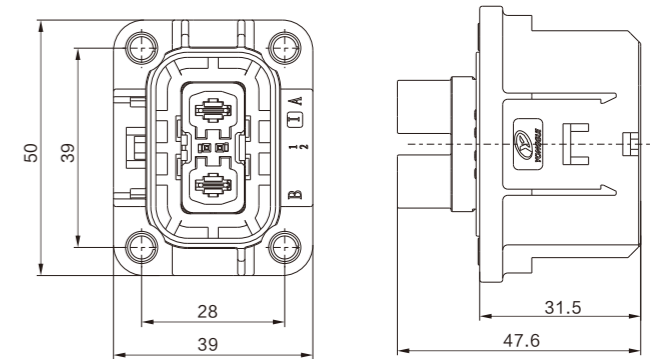
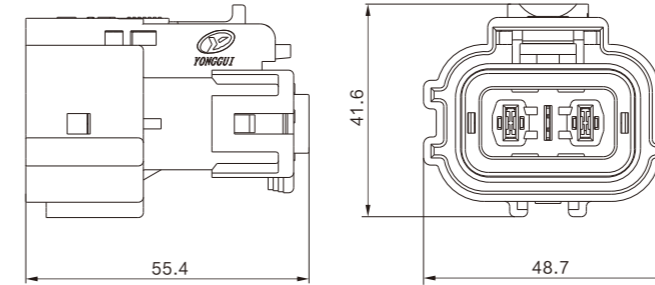
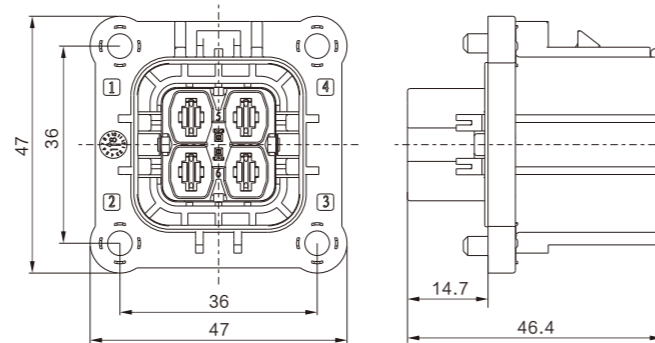
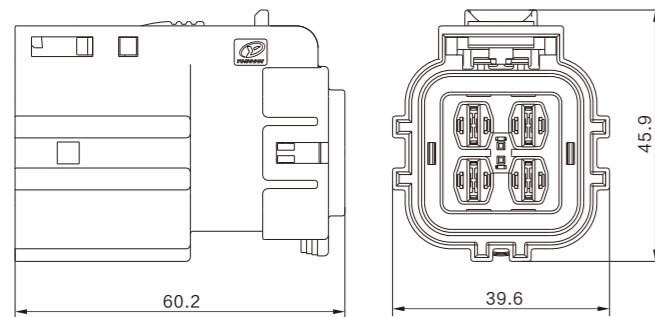
YG1174 4-Pin Receptacle

YG722A两芯直式插头

YG722A 2-Pin 180° Plug

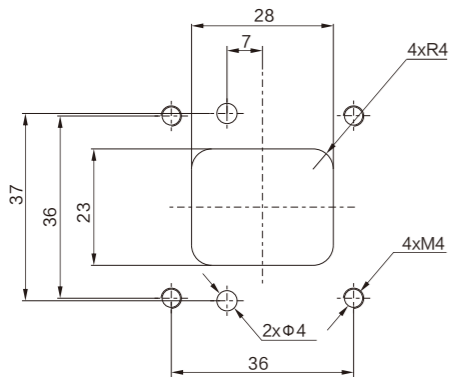
YG722A两芯插座

YG722A 2-Pin Receptacle



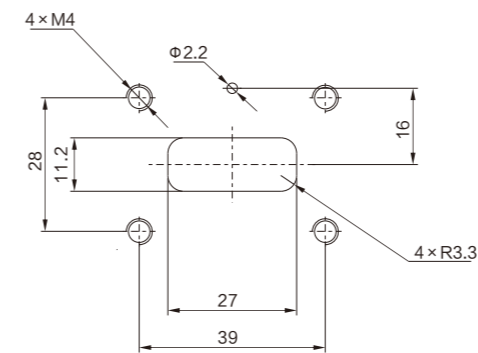
YG1174四芯安装开孔尺寸

YG1174 4-Pin Mounting Interface Design



YG722A两芯安装开孔尺寸

YG722A 2-Pin Mounting Interface Design



高压连接器
High Voltage Connector

电缆接头
Cable Connector

信号连接器
Signal Connector

手动维护开关
Manual Service Disconnect

集成线束
Integrated Wiring Harness

高压盒
High Voltage Box

高压连接器
High Voltage Connector

电缆接头
Cable Connector

信号连接器
Signal Connector

手动维护开关
Manual Service Disconnect

集成线束
Integrated Wiring Harness

高压盒
High Voltage Box

YG1176-2PIN

| 应用范围 Application |
|--|
| <ul style="list-style-type: none"> ● 空调压缩机、油泵、气泵、高压盒 Air Condition Compressor, Oil Pump Controller, Air Pump Controller, PDU |
| 产品描述 Description |
| <ul style="list-style-type: none"> ● 二次锁紧 Secondary Lock Function ● 线径范围 Cable Range: 2.5~6mm² ● 防呆键位 Poka-yoke ● 高压互锁 HVIL ● 触电防护 Touch-proof ● 360° 屏蔽 360° shielding |
| 性能参数 Specification |
| <ul style="list-style-type: none"> ● 额定电流 Rated Current: 功率 Power 20A(2.5mm ²) 30A(4mm ²) 40A(6mm ²) 信号 Signal 2A(0.5mm ²) |
| <ul style="list-style-type: none"> ● 额定电压 Rated Voltage: 功率 Power 800V(AC/DC) 信号 Signal 24V (AC/DC) |
| <ul style="list-style-type: none"> ● 耐电压 Dielectric Withstanding Voltage: 功率 Power 3000V AC 50HZ(常态Normal) 信号 Signal 1000V AC 50HZ(常态Normal) |
| <ul style="list-style-type: none"> ● 工作温度 Temperature Range: -40℃ ~ +125℃ ● 防护等级 IP Rating: IP67&IP6K9K、IPXXB |

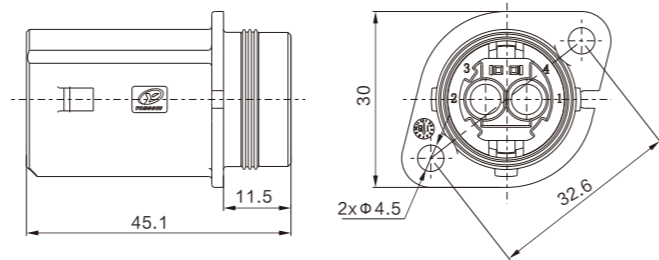
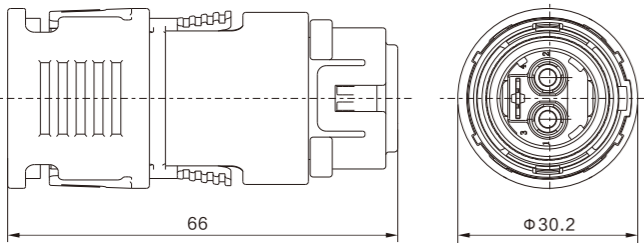


YG1176两芯直式插头

YG1176 2-Pin 180° Plug

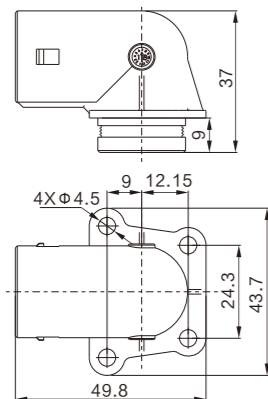
YG1176两芯直式插座

YG1176 2-Pin 180° Receptacle



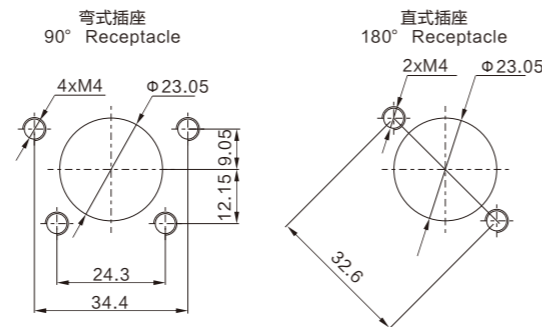
YG1176两芯弯式插座

YG1176 2-Pin 90° Receptacle



YG1176两芯安装开孔尺寸

YG1176 2-Pin Mounting Interface Design



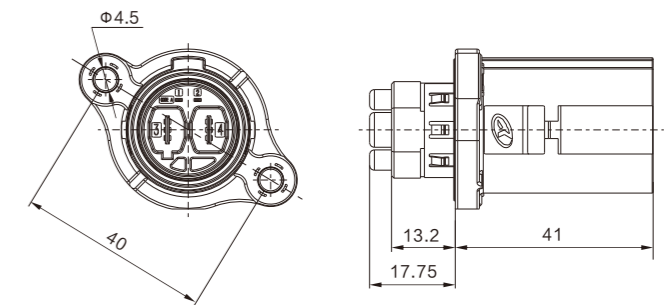
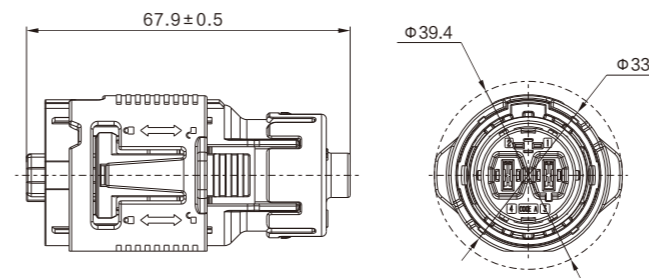
YG1176D-2PIN

| 应用范围 Application |
|--|
| <ul style="list-style-type: none"> ● 充电机、油泵、气泵、高压盒 OBC, Oil Pump Controller, Air Pump Controller, PDU |
| 产品描述 Description |
| <ul style="list-style-type: none"> ● 二次锁紧 Secondary Lock Function ● 线径范围 Cable Range: 2.5~6mm² ● 防呆键位 Poka-yoke ● 高压互锁 HVIL ● 触电防护 Touch-proof ● 360° 屏蔽 360° shielding |
| 性能参数 Specification |
| <ul style="list-style-type: none"> ● 额定电流 Rated Current: 功率 Power 16A(2.5mm ²) 30A(4mm ²) 40A(6mm ²) 信号 Signal 2A |
| <ul style="list-style-type: none"> ● 额定电压 Rated Voltage: 功率 Power 1000V(AC/DC) 信号 Signal 24V (AC/DC) |
| <ul style="list-style-type: none"> ● 耐电压 Dielectric Withstanding Voltage: 功率 Power 3000V AC 50HZ(常态Normal) 信号 Signal 1000V AC 50HZ(常态Normal) |
| <ul style="list-style-type: none"> ● 工作温度 Temperature Range: -40℃ ~ +125℃ ● 防护等级 IP Rating: IP67&IP6K9K、IPXXB |



YG1176D两芯直式插头

YG1176D 2-Pin 180° Plug

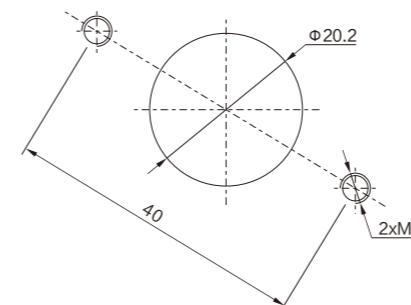


YG1176D两芯插座

YG1176D 2-Pin Receptacle

YG1176D-两芯安装开孔尺寸

YG1176D- 2-Pin Mounting Interface Design



高压连接器

电缆接头

信号连接器

手动维护开关

集成线束

高压盒

高压连接器

电缆接头

信号连接器

手动维护开关

集成线束

高压盒



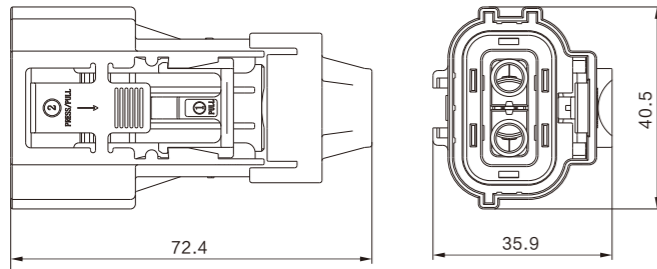
YG1139-2PIN

| 应用范围 Application |
|---|
| <ul style="list-style-type: none"> ● 空调压缩机、PTC、充电机、DCDC、高压盒 Air Condition Compressor, PTC, OBC, DCDC, PDU, BDU |
| 产品描述 Description |
| <ul style="list-style-type: none"> ● 二次锁紧 Secondary Lock Function ● 线径范围 Cable Range: 6mm² ● 防呆键位 Poka-yoke ● 高压互锁 HVIL ● 触电防护 Touch-proof ● 360° 屏蔽 360° shielding |
| 性能参数 Specification |
| <ul style="list-style-type: none"> ● 额定电流 Rated Current: 功率 Power 40A(6mm²) 信号 Signal 2A(0.5mm²) ● 额定电压 Rated Voltage: 功率 Power 800V(AC/DC) 信号 Signal 24V (AC/DC) ● 耐电压 Dielectric Withstanding Voltage: 功率 Power 3000V AC 50HZ(常态Normal) 信号 Signal 1000V AC 50HZ(常态Normal) ● 工作温度 Temperature Range: -40℃ ~ +125℃ ● 防护等级 IP Rating: IP67&IP6K9K、IPXXB |



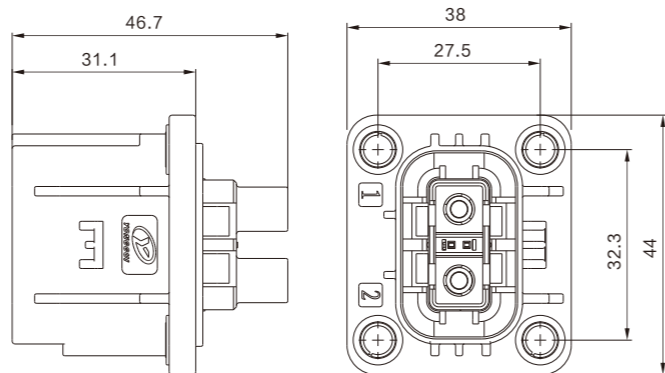
YG1139两芯直式插头

YG1139 2-Pin 180° Plug



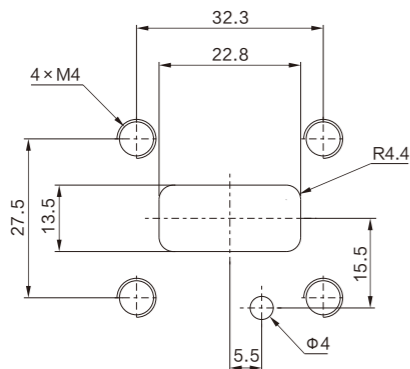
YG1139两芯插座

YG1139 2-Pin Receptacle



YG1139两芯安装开孔尺寸

YG1139 2-Pin Mounting Interface Design



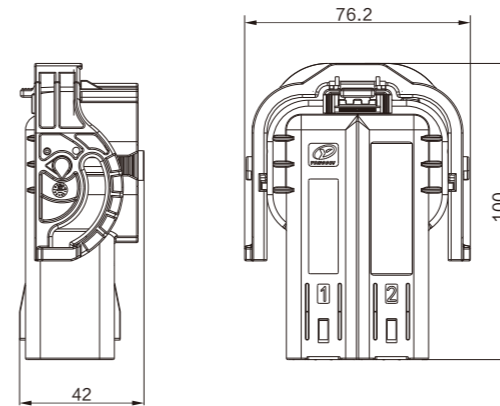
YG1079-2PIN

| 应用范围 Application |
|---|
| <ul style="list-style-type: none"> ● 电池、电控、高压盒 Battery, Motor controller, PDU |
| 产品描述 Description |
| <ul style="list-style-type: none"> ● 二次锁紧 Secondary Lock Function ● 线径范围 Cable Range: 25 ~ 50mm² ● 防呆键位 Poka-yoke ● 高压互锁 HVIL ● 触电防护 Touch-proof ● 360° 屏蔽 360° shielding |
| 性能参数 Specification |
| <ul style="list-style-type: none"> ● 额定电流 Rated Current: 功率 Power 120A(25mm²) 150A(35mm²) 200A(50mm²) 信号 Signal 5A(0.75mm²) ● 额定电压 Rated Voltage: 功率 Power 1000V(AC/DC) 信号 Signal 24V (AC/DC) ● 耐电压 Dielectric Withstanding Voltage: 功率 Power 4000V AC 50HZ(常态Normal) 信号 Signal 1000V AC 50HZ(常态Normal) ● 工作温度 Temperature Range: -40℃ ~ +125℃ ● 防护等级 IP Rating: IP67&IP6K9K、IPXXB |



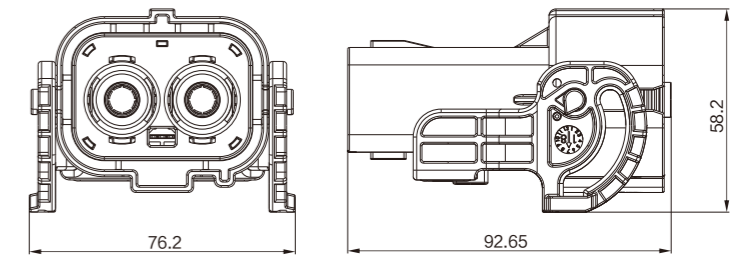
YG1079两芯90° 插头

YG1079- 2-Pin 90° Plug



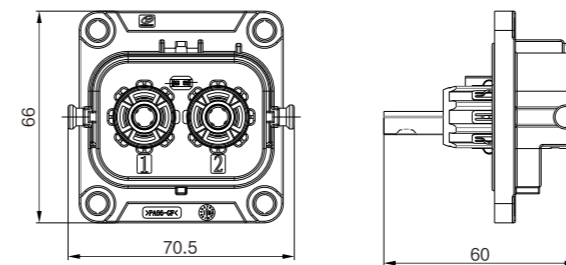
YG1079两芯180° 插头

YG1079- 2-Pin 180° Plug



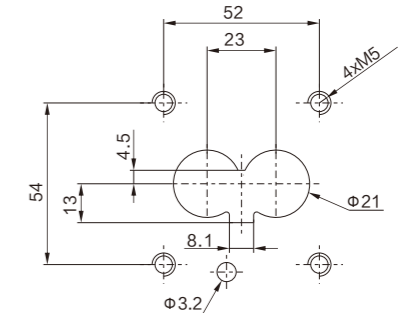
YG1079两芯插座

YG1079-2-Pin Receptacle



YG1079两芯安装开孔尺寸

YG1079- 2-Pin Mounting Interface Design



高压连接器
High Voltage Connector

电缆接头
Cable Connector

信号连接器
Signal Connector

手动维护开关
Manual Service Disconnect

集成线束
Integrated Wiring Harness

高压盒
High Voltage Box

高压连接器
High Voltage Connector

电缆接头
Cable Connector

信号连接器
Signal Connector

手动维护开关
Manual Service Disconnect

集成线束
Integrated Wiring Harness

高压盒
High Voltage Box



YG1079-3PIN

| 应用范围 Application |
|--|
| <ul style="list-style-type: none"> ● 电池、电控、电机、高压盒 Battery, Motor controller, E-Motor, PDU |
| 产品描述 Description |
| <ul style="list-style-type: none"> ● 二次锁紧 Secondary Lock Function ● 线径范围 Cable Range: 25 ~ 50mm² ● 防呆键位 Poka-yoke ● 高压互锁 HVIL ● 触电防护 Touch-proof ● 360° 屏蔽 360° shielding |
| 性能参数 Specification |
| <ul style="list-style-type: none"> ● 额定电流 Rated Current: 功率 Power 120A(25mm ²) 150A(35mm ²) 200A(50mm ²) 信号 Signal 5A(0.75mm ²) |
| <ul style="list-style-type: none"> ● 额定电压 Rated Voltage: 功率 Power 1000V(AC/DC) 信号 Signal 24V (AC/DC) |
| <ul style="list-style-type: none"> ● 耐电压 Dielectric Withstanding Voltage: 功率 Power 4000V AC 50HZ(常态Normal) 信号 Signal 1000V AC 50HZ(常态Normal) |
| <ul style="list-style-type: none"> ● 工作温度 Temperature Range: -40℃ ~ +125℃ ● 防护等级 IP Rating: IP67&IP6K9K、IPXXB |

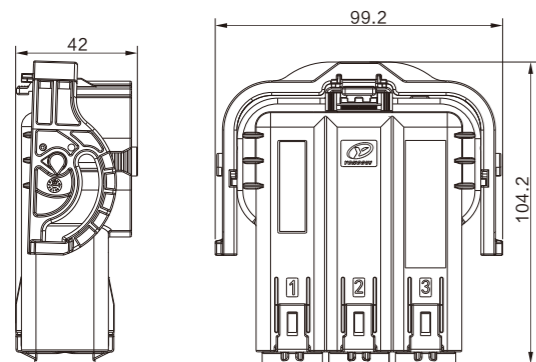


YG982-2PIN

| 应用范围 Application |
|---|
| <ul style="list-style-type: none"> ● 充电机、空调压缩机、PTC、高压盒 OBC, Air Condition Compressor, PTC, PDU, BDU |
| 产品描述 Description |
| <ul style="list-style-type: none"> ● 二次锁紧 Secondary Lock Function ● 线径范围 Cable Range: 2.5 ~ 10mm² ● 防呆键位 Poka-yoke ● 高压互锁 HVIL ● 触电防护 Touch-proof ● 360° 屏蔽 360° shielding |
| 性能参数 Specification |
| <ul style="list-style-type: none"> ● 额定电流 Rated Current: 功率 Power 16A(2.5mm ²) 23A(4mm ²) 30A(6mm ²) 50A(10mm ²) 信号 Signal 2A(0.5mm ²) |
| <ul style="list-style-type: none"> ● 额定电压 Rated Voltage: 功率 Power 1000V(AC/DC) 信号 Signal 24V (AC/DC) |
| <ul style="list-style-type: none"> ● 耐电压 Dielectric Withstanding Voltage: 功率 Power 3000V AC 50HZ(常态Normal) 信号 Signal 1000V AC 50HZ(常态Normal) |
| <ul style="list-style-type: none"> ● 工作温度 Temperature Range: -40℃ ~ +125℃ ● 防护等级 IP Rating: IP67&IP6K9K、IPXXB |

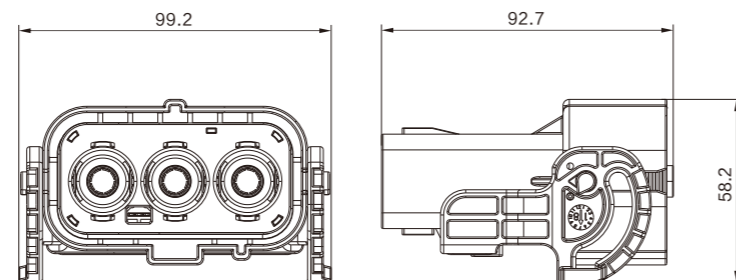
YG1079三芯90° 插头

YG1079-3-Pin 90° Plug



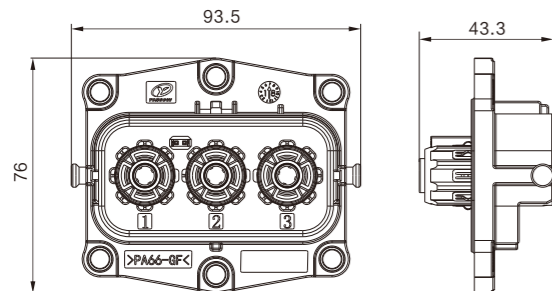
YG1079三芯180° 插头

YG1079-3-Pin 180° Plug



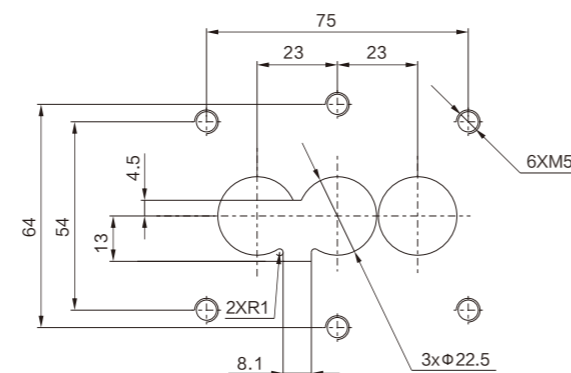
YG1079三芯插座

YG1079-3-Pin Receptacle



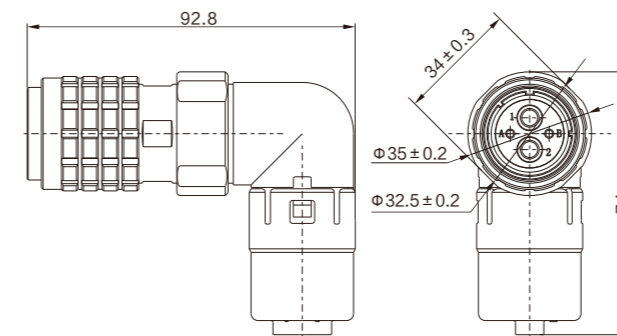
YG1079三芯安装开孔尺寸

YG1079-3-Pin Mounting Interface Design



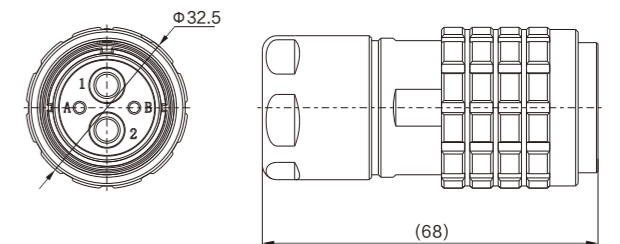
YG982两芯90° 插头

YG982-2-Pin 90° Plug



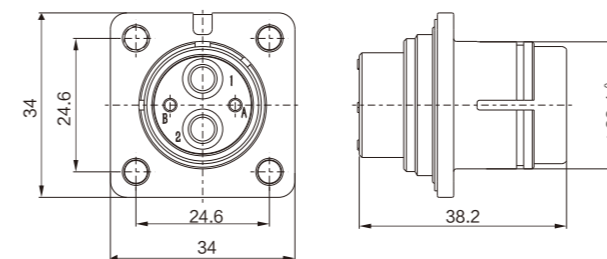
YG982两芯180° 插头

YG1079-2-Pin 180° Plug



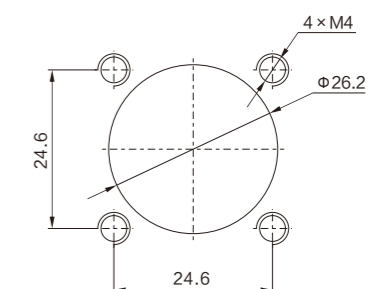
YG982两芯插座

YG982-2-Pin Receptacle



YG982两芯安装开孔尺寸

YG982-2-Pin Mounting Interface Design



高压连接器

电缆接头

信号连接器

手动维护开关

集成线束

高压盒

高压连接器

电缆接头

信号连接器

手动维护开关

集成线束

高压盒



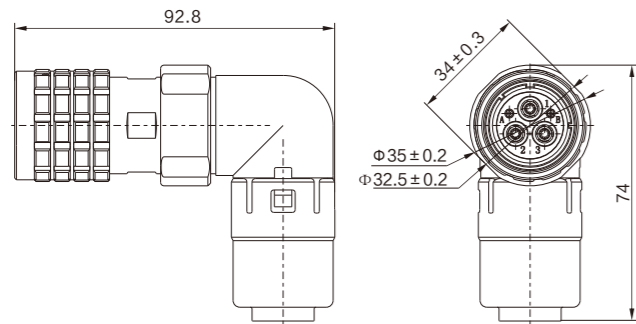
YG982-3PIN

| 应用范围 Application |
|--|
| <ul style="list-style-type: none"> ● 充电机、空调压缩机、PTC、高压盒 |
| OBC、Air Condition Compressor、PTC、PDU、BDU |
| 产品描述 Description |
| <ul style="list-style-type: none"> ● 二次锁紧 Secondary Lock Function ● 线径范围 Cable Range: 2.5 ~ 6mm² ● 防呆键位 Poka-yoke ● 高压互锁 HVIL ● 触电防护 Touch-proof ● 360° 屏蔽 360° shielding |
| 性能参数 Specification |
| <ul style="list-style-type: none"> ● 额定电流 Rated Current: |
| 功率 Power 16A(2.5mm ²) 23A(4mm ²) 30A(6mm ²) |
| 信号 Signal 2A(0.5mm ²) |
| <ul style="list-style-type: none"> ● 额定电压 Rated Voltage: |
| 功率 Power 1000V(AC/DC) |
| 信号 Signal 24V (AC/DC) |
| <ul style="list-style-type: none"> ● 耐压 Dielectric Withstanding Voltage: |
| 功率 Power 3000V AC 50HZ(常态Normal) |
| 信号 Signal 1000V AC 50HZ(常态Normal) |
| <ul style="list-style-type: none"> ● 工作温度 Temperature Range: -40℃ ~ +125℃ ● 防护等级 IP Rating: IP67&IP6K9K、IPXXB |



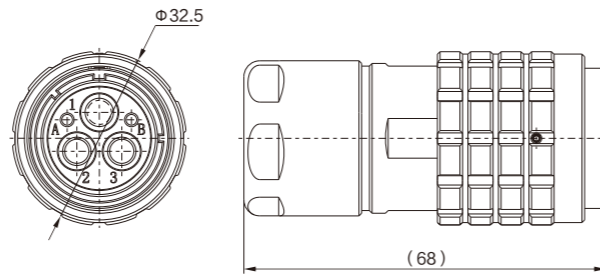
YG982三芯90° 插头

YG982-3-Pin 90° Plug



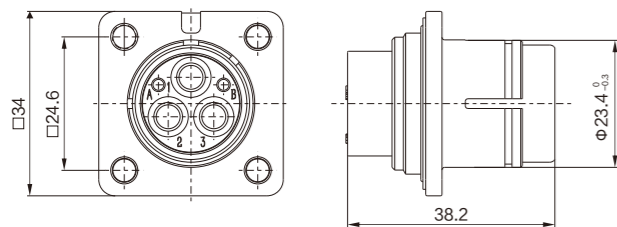
YG982三芯180° 插头

YG1079-3-Pin 180° Plug



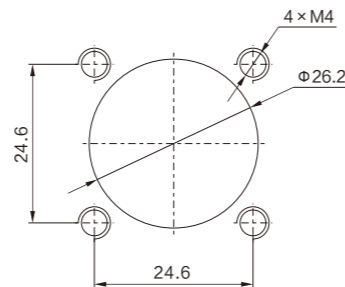
YG982三芯插座

YG982-3-Pin Receptacle



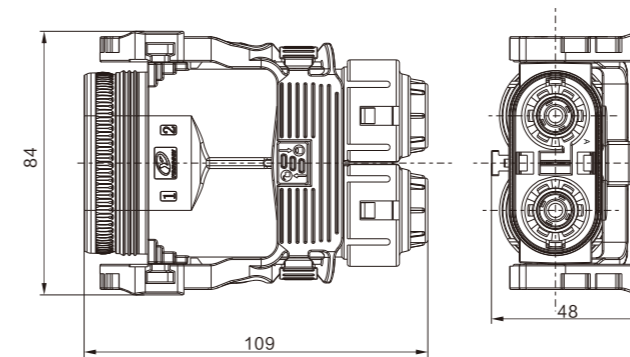
YG982三芯安装开孔尺寸

YG982-3-Pin Mounting Interface Design



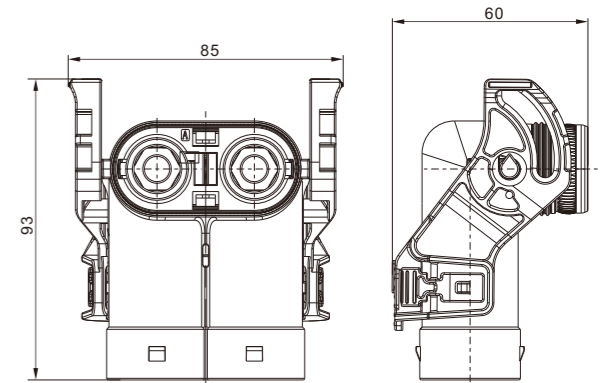
YG998C 两芯180° 插头

YG998C 2-Pin 180° Plug



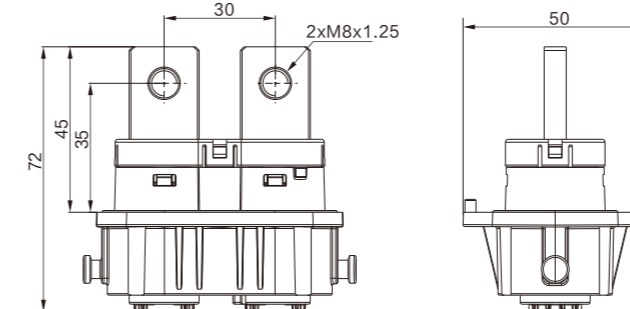
YG998C 两芯90° 插头

YG998C 2-Pin 90° Plug



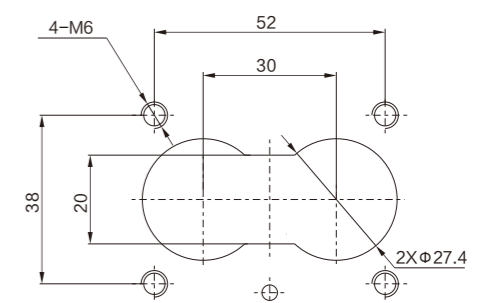
YG998C两芯插座

YG998C 2-Pin Receptacle



YG998C两芯安装开孔尺寸

YG998C 2-Pin Mounting Interface Design



高压连接器
High Voltage Connector

电缆接头
Cable Connector

信号连接器
Signal Connector

手动维护开关
Manual Service Disconnect

集成线束
Integrated Wiring Harness

高压盒
High Voltage Box

高压连接器
High Voltage Connector

电缆接头
Cable Connector

信号连接器
Signal Connector

手动维护开关
Manual Service Disconnect

集成线束
Integrated Wiring Harness

高压盒
High Voltage Box

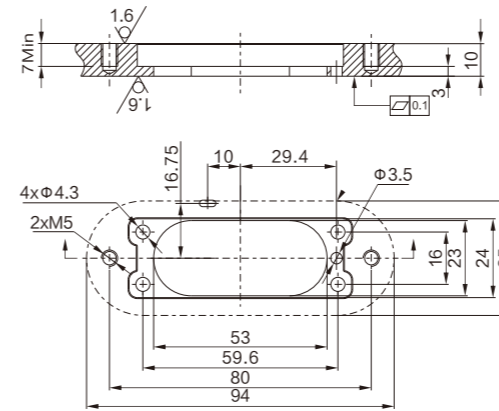


YG1033A/D-2PIN

| |
|--|
| 应用范围 Application |
| <ul style="list-style-type: none"> ● 电池、电控、电机 <p>Battery, Motor controller, E-Motor</p> |
| 产品描述 Description |
| <ul style="list-style-type: none"> ● 螺钉锁紧 Screw Locking ● 线径范围 Cable Range: 35 ~ 50mm² ● 防呆键位 Poka-yoke ● 高压互锁 HVIL ● 触电防护 Touch-proof ● 360° 屏蔽 360° shielding |
| 性能参数 Specification |
| <ul style="list-style-type: none"> ● 额定电流 Rated Current: <p>功率 Power 150A(35mm²) 200A(50mm²)</p> <p>信号 Signal 2A(0.5mm²)</p> <ul style="list-style-type: none"> ● 额定电压 Rated Voltage: <p>功率 Power 1000V(AC/DC)</p> <p>信号 Signal 24V (AC/DC)</p> <ul style="list-style-type: none"> ● 耐电压 Dielectric Withstanding Voltage: <p>功率 Power 3000V AC 50HZ(常态Normal)</p> <p>信号 Signal 1000V AC 50HZ(常态Normal)</p> <ul style="list-style-type: none"> ● 工作温度 Temperature Range: -40℃ ~ +125℃ ● 防护等级 IP Rating: IP67&IP6K9K、IPXXB |

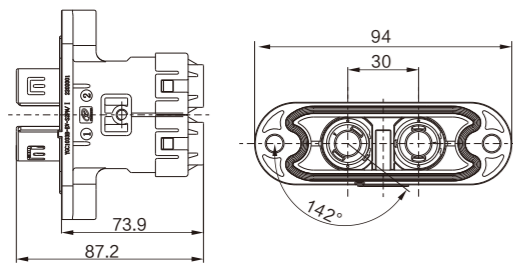
YG1033A两芯安装开孔尺寸

YG1033A 2-Pin Mounting Interface Design



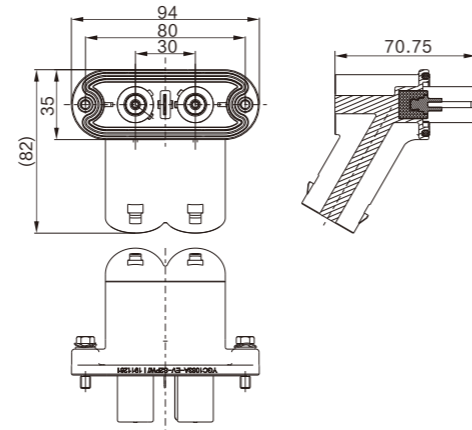
YG1033A两芯直式插头

YG1033A 2-Pin 180° Plug



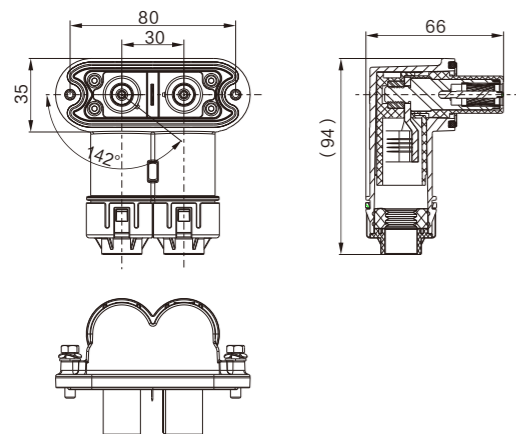
YG1033A两芯弯式插头

YG1033A 2-Pin 120° Plug



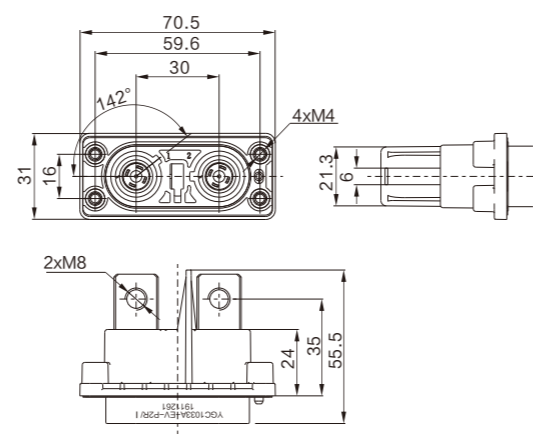
YG1033D两芯弯式插头

YG1033D 2-Pin 90° Plug



YG1033A两芯插座

YG1033A 2-Pin Receptacle



高压连接器
High Voltage Connector

电缆接头
Cable Connector

信号连接器
Signal Connector

手动维护开关
Manual Service Disconnect

集成线束
Integrated Wiring Harness

高压盒
High Voltage Box

高压连接器
High Voltage Connector

电缆接头
Cable Connector

信号连接器
Signal Connector

手动维护开关
Manual Service Disconnect

集成线束
Integrated Wiring Harness

高压盒
High Voltage Box

YG1411-3PIN

| |
|---|
| 应用范围 Application |
| <ul style="list-style-type: none"> ● 电池、电控、电机、高压盒 Battery, Motor controller, E-Motor, PDU, BDU |
| 产品描述 Description |
| <ul style="list-style-type: none"> ● 螺钉锁紧 Screw Locking ● 线径范围 Cable Range: 35 ~ 50mm² ● 防呆键位 Poka-yoke ● 高压互锁 HVIL ● 触电防护 Touch-proof ● 360° 屏蔽 360° shielding |
| 性能参数 Specification |
| <ul style="list-style-type: none"> ● 额定电流 Rated Current: 功率 Power 150A(35mm²) 200A(50mm²) 信号 Signal 2A(0.5mm²) ● 额定电压 Rated Voltage: 功率 Power 1000V(AC/DC) 信号 Signal 24V (AC/DC) ● 耐电压 Dielectric Withstanding Voltage: 功率 Power 3000V AC 50HZ(常态Normal) 信号 Signal 1000V AC 50HZ(常态Normal) ● 工作温度 Temperature Range: -40℃ ~ +125℃ ● 防护等级 IP Rating: IP67&IP6K9K、IPXXB |



电
缆
接
头

CABLE CONNECTOR

高压连接器
High Voltage Connector

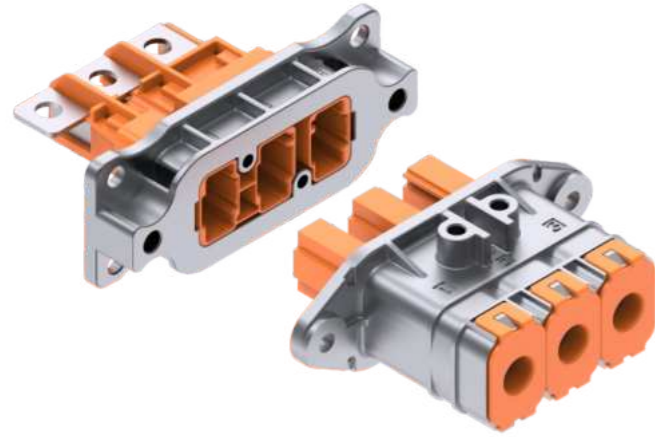
电缆接头
Cable Connector

信号连接器
Signal Connector

手动维护开关
Manual Service Disconnect

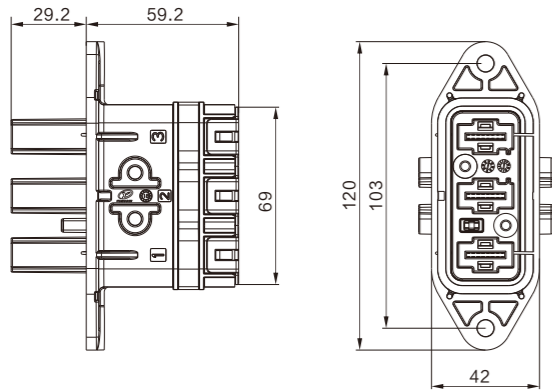
集成线束
Integrated Wiring Harness

高压盒
High Voltage Box



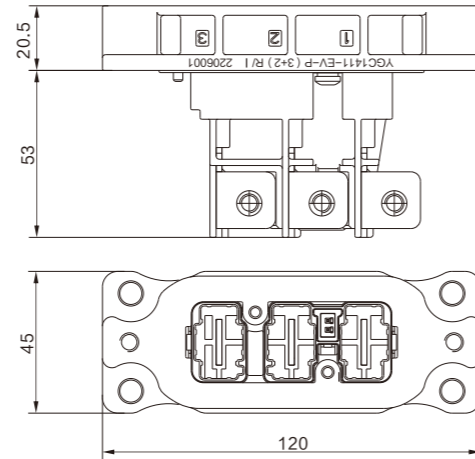
YG1411三芯直式插头

YG1411-3-pin 180° Plug



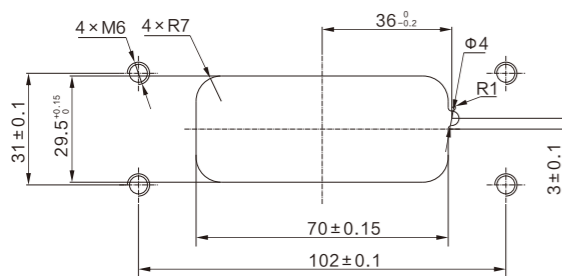
YG1411三芯插座

YG1411-3-pin Receptacle



YG1411三芯安装开孔尺寸

YG1411-3-pin Mounting Interface Design





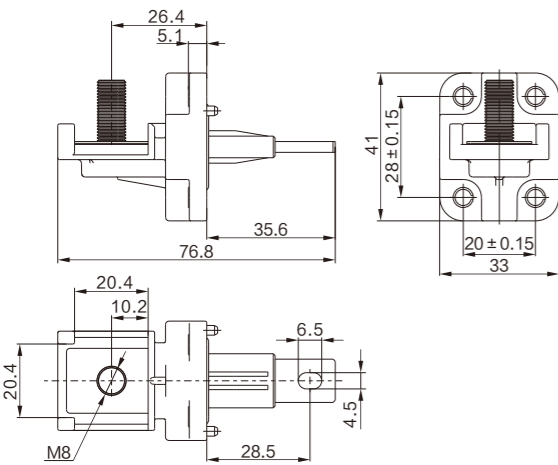
YG196-529

| 应用范围 Application |
|---|
| ● DC/DC; OBC |
| 产品描述 Description |
| ● 线径范围 Cable Range: 35mm ² |
| ● 防呆键位 Poka-yoke |
| 性能参数 Specification |
| ● 额定电流 Rated Current: 功率 Power 160A(35mm ²) |
| ● 额定电压 Rated Voltage: 功率 Power 500V(DC) |
| ● 耐电压 Dielectric Withstanding Voltage: 功率 Power 2000V DC |
| ● 工作温度 Temperature Range: -40℃ ~ +125℃ |
| ● 防护等级 IP Rating: IP67&IP6K9K |



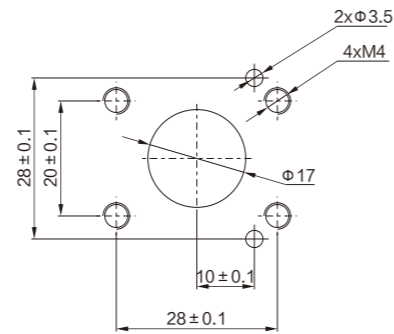
YG196-529IPT组件连接器

YG196-529IPT Component Connector



YG196-529IPT组件安装开孔尺寸

YG196-529IPT Assembly Mounting Interface Design



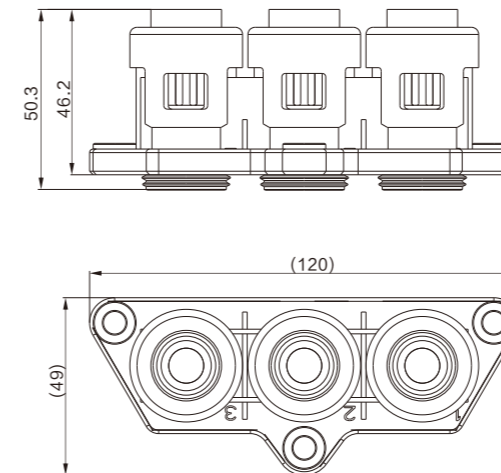
YG196-378-3PIN

| 应用范围 Application |
|---|
| ● 电机、电机控制器、高压盒 E-Motor, Motor Controller, PDU |
| 产品描述 Description |
| ● 线径范围 Cable Range: 35 ~ 50mm ² |
| ● 360° 屏蔽 360° shielding |
| 性能参数 Specification |
| ● 额定电流 Rated Current: 功率 Power 150A(35mm ²) 200A(50mm ²) |
| ● 额定电压 Rated Voltage: 功率 Power 850V |
| ● 耐电压 Dielectric Withstanding Voltage: 功率 Power 3000V AC |
| ● 工作温度 Temperature Range: -40℃ ~ +125℃ |
| ● 防护等级 IP Rating: IP67&IP6K9K |



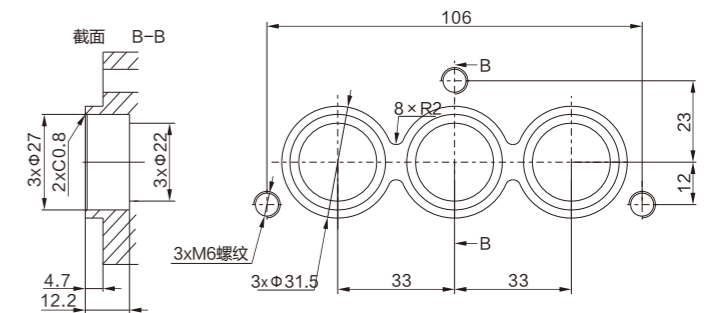
YG196-378三芯连接器

YG196-378 3-Pin Connector



YG196-378三芯安装开孔尺寸

YG196-378 3-Pin Mounting Interface Design



高压连接器
High Voltage Connector

电缆接头
Cable Connector

信号连接器
Signal Connector

手动维护开关
Manual Service Disconnect

集成线束
Integrated Wiring Harness

高压盒
High Voltage Box

高压连接器
High Voltage Connector

电缆接头
Cable Connector

信号连接器
Signal Connector

手动维护开关
Manual Service Disconnect

集成线束
Integrated Wiring Harness

高压盒
High Voltage Box

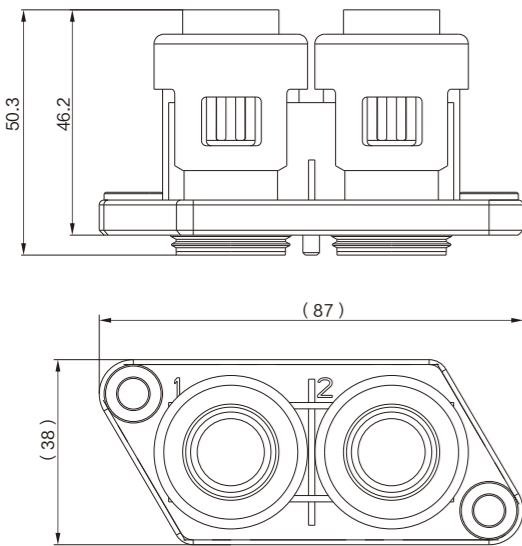
YG196-379-2PIN

| 应用范围 Application |
|--|
| ● DC/DC; OBC |
| 产品描述 Description |
| ● 线径范围 Cable Range: 35~50mm ² |
| ● 防呆键位 Poka-yoke |
| 性能参数 Specification |
| ● 额定电流 Rated Current: |
| 功率 Power 160A(35mm ²) 200A(50mm ²) |
| ● 额定电压 Rated Voltage: |
| 功率 Power 850V(DC) |
| ● 耐电压 Dielectric Withstanding Voltage: |
| 功率 Power 3000V DC |
| ● 工作温度 Temperature Range: -40℃ ~ +125℃ |
| ● 防护等级 IP Rating: IP67&IP6K9K |



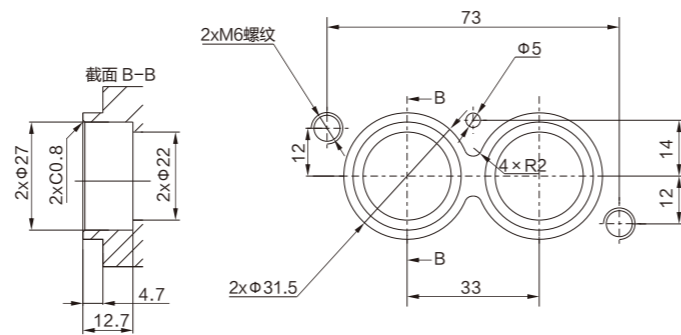
YG196-379两芯连接器

YG196-379 2-Pin Connector



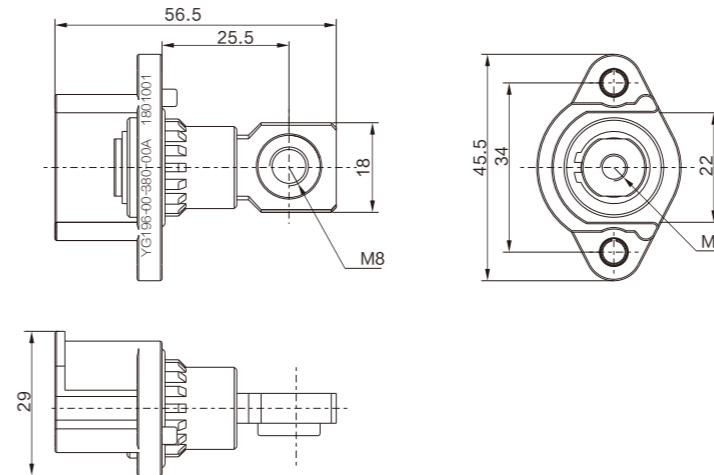
YG196-379两芯安装开孔尺寸

YG196-379 2-Pin Mounting Interface Design



YG196-380A型连接器

YG196-380 Type A Connector



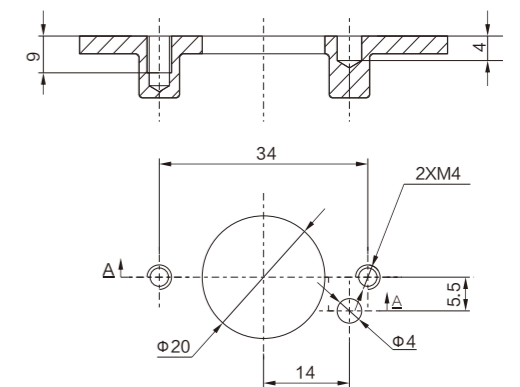
YG196-380

| 应用范围 Application |
|---|
| ● 电动汽车配电系统、电机、电控 |
| Distribution Systems、E-Motor、Motor Controller |
| 产品描述 Description |
| ● 线径范围 Cable Range: 70mm ² |
| ● 防呆键位 Poka-yoke |
| ● 塑料外壳 Plastic Shell |
| 性能参数 Specification |
| ● 额定电流 Rated Current: |
| 功率 Power 250A(70mm ²) |
| ● 额定电压 Rated Voltage: |
| 功率 Power 800V |
| ● 耐电压 Dielectric Withstanding Voltage: |
| 功率 Power 3000V AC |
| ● 工作温度 Temperature Range: -40℃ ~ +125℃ |



YG196-380 安装开孔尺寸

YG196-380 Mounting Interface Design



高压连接器

电缆接头

信号连接器

手动维护开关

集成线束

高压盒

高压连接器

电缆接头

信号连接器

手动维护开关

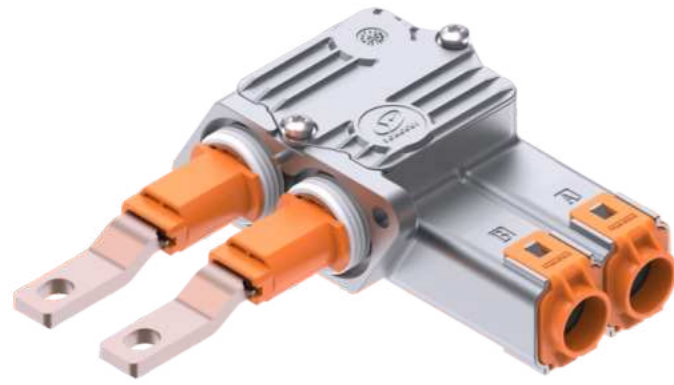
集成线束

高压盒



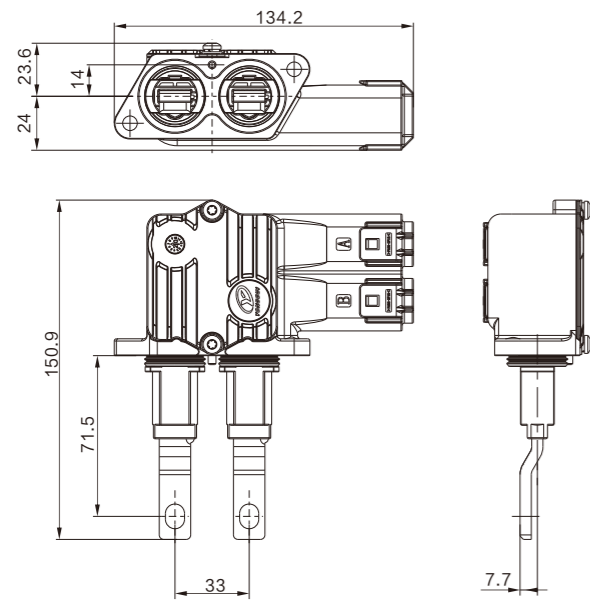
YG196-459-2PIN

| 应用范围 Application |
|--|
| ● 电机、电控、发电机 E-Motor, Motor Controller, Electric Generator |
| 产品描述 Description |
| ● 螺栓连接 Bolted connection |
| ● 线径范围 Cable Range: 35 ~ 50mm ² |
| ● 防呆键位 Poka-yoke |
| ● 360° 全屏蔽 360° Shielding |
| 性能参数 Specification |
| ● 额定电流 Rated Current: 150A(35mm ²) 250A(50mm ²) |
| ● 额定电压 Rated Voltage: 1000V |
| ● 耐压 Dielectric Withstanding Voltage: 功率 Power 3000V AC 50HZ(常态 Normal) |
| ● 工作温度 Temperature Range: -40℃ ~ +125℃ |
| ● 防护等级 IP Rating: IP67&IP6K9K |



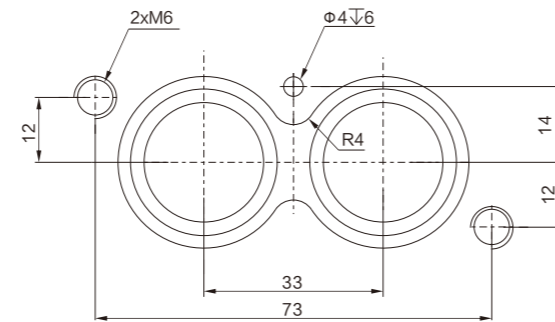
YG196-00-459-00A连接器

YG196-00-459-00A Type Connector



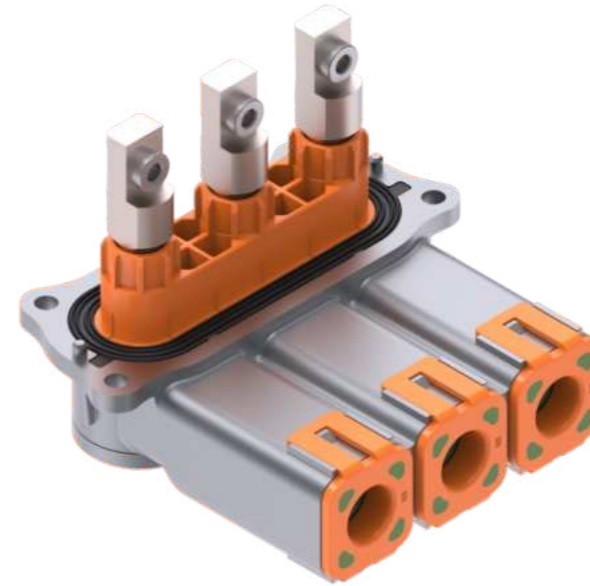
YG196-00-459-00A安装开孔尺寸

YG196-00-459-00A Mounting Interface Design



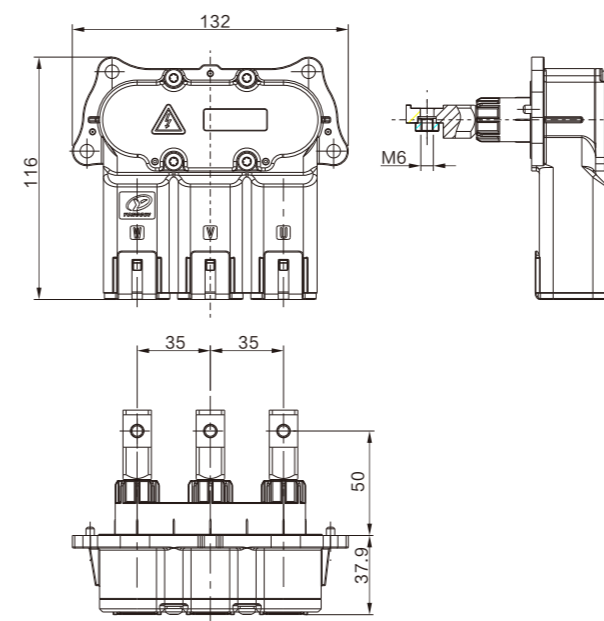
YG196-510-3PIN

| 应用范围 Application |
|--|
| ● 电机、电控、发电机 E-Motor, Motor Controller, Electric Generator |
| 产品描述 Description |
| ● 螺栓连接 Bolted connection |
| ● 线径范围 Cable Range: 50mm ² |
| ● 防呆键位 Poka-yoke |
| ● 360° 全屏蔽 360° Shielding |
| 性能参数 Specification |
| ● 额定电流 Rated Current: 功率 Power 250A(50mm ²) |
| ● 额定电压 Rated Voltage: 功率 Power 1000V |
| ● 耐压 Dielectric Withstanding Voltage: 功率 Power 3000V AC 50HZ(常态 normal) |
| ● 工作温度 Temperature Range: -40℃ ~ +140℃ |
| ● 防护等级 IP Rating: IP67&IP6K9K |



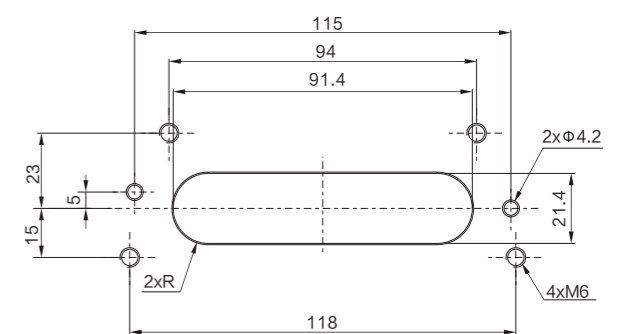
YG196-00-510-00A连接器

YG196-00-510-00A Type Connector



YG196-00-510-00A安装开孔尺寸

YG196-00-510-00A Mounting Interface Design



高压连接器
High Voltage Connector

电缆接头
Cable Connector

信号连接器
Signal Connector

手动维护开关
Manual Service Disconnect

集成线束
Integrated Wiring Harness

高压盒
High Voltage Box

高压连接器
High Voltage Connector

电缆接头
Cable Connector

信号连接器
Signal Connector

手动维护开关
Manual Service Disconnect

集成线束
Integrated Wiring Harness

高压盒
High Voltage Box



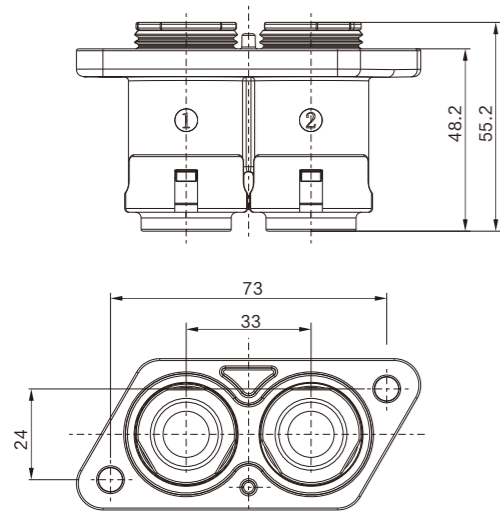
YG196-436-2PIN

| 应用范围 Application |
|--|
| <ul style="list-style-type: none"> ● 电动汽车配电系统、电机、电控 |
| Distribution Systems, E-Motor, Motor Controller |
| 产品描述 Description |
| <ul style="list-style-type: none"> ● 线径范围 Cable Range: 35~70mm² ● 防呆键位 Poka-yoke ● 360° 全屏蔽 360° Shielding |
| 性能参数 Specification |
| <ul style="list-style-type: none"> ● 额定电流 Rated Current: |
| 功率 Power 150A(30mm ²) 200A(50mm ²) 250A(70mm ²) |
| <ul style="list-style-type: none"> ● 额定电压 Rated Voltage: 功率 Power 1000V |
| <ul style="list-style-type: none"> ● 耐电压 Dielectric Withstanding Voltage: |
| 功率 Power 3000V AC 50HZ(常态 normal) |
| <ul style="list-style-type: none"> ● 工作温度 Temperature Range: -40℃ ~ +140℃ |
| <ul style="list-style-type: none"> ● 防护等级 IP Rating: IP67&IP6K9K |



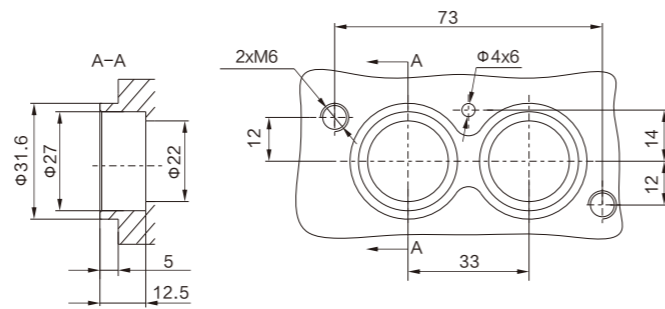
YGC196-436两芯直式插头

YGC196-436 2-Pin 180° Plug



YGC196-436两芯安装开孔尺寸

YGC196-436 2-Pin Mounting Interface Design



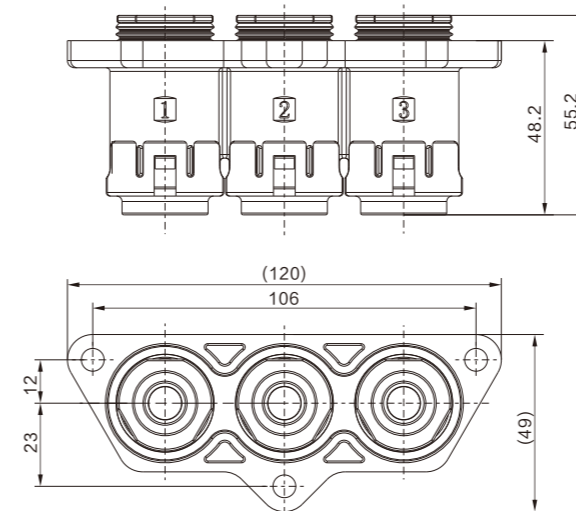
YG196-436-3PIN

| 应用范围 Application |
|--|
| <ul style="list-style-type: none"> ● 电动汽车配电系统、电机、电控 |
| Distribution Systems, E-Motor, Motor Controller |
| 产品描述 Description |
| <ul style="list-style-type: none"> ● 线径范围 Cable Range: 35~70mm² ● 防呆键位 Poka-yoke ● 360° 全屏蔽 360° Shielding |
| 性能参数 Specification |
| <ul style="list-style-type: none"> ● 额定电流 Rated Current: |
| 功率 Power 150A(30mm ²) 200A(50mm ²) 250A(70mm ²) |
| <ul style="list-style-type: none"> ● 额定电压 Rated Voltage: 功率 Power 1000V |
| <ul style="list-style-type: none"> ● 耐电压 Dielectric Withstanding Voltage: |
| 功率 Power 3000V AC 50HZ(常态 normal) |
| <ul style="list-style-type: none"> ● 工作温度 Temperature Range: -40℃ ~ +140℃ |
| <ul style="list-style-type: none"> ● 防护等级 IP Rating: IP67&IP6K9K |



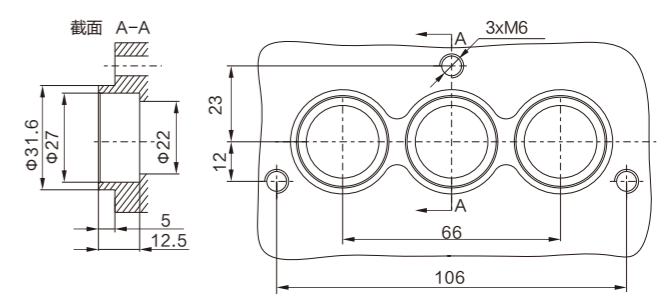
YGC196-436三芯直式插头

YGC196-436 3-Pin 180° Plug



YGC196-436三芯安装开孔尺寸

YGC196-436 3-Pin Mounting Interface Design



高压连接器
High Voltage Connector

电缆接头
Cable Connector

信号连接器
Signal Connector

手动维护开关
Manual Service Disconnect

集成线束
Integrated Wiring Harness

高压盒
High Voltage Box

高压连接器
High Voltage Connector

电缆接头
Cable Connector

信号连接器
Signal Connector

手动维护开关
Manual Service Disconnect

集成线束
Integrated Wiring Harness

高压盒
High Voltage Box



信号连接器



SIGNAL CONNECTOR

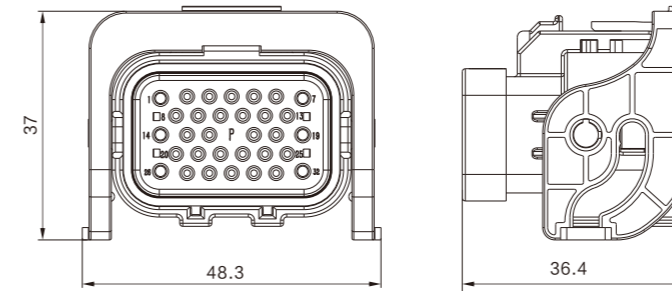
YG1024-32PIN

| |
|---|
| 应用范围 Application |
| ● 信号系统连接 Signal System |
| 产品描述 Description |
| ● 二次锁紧 Secondary Lock Function |
| ● 线径范围 Cable Range: 0.5~1.5mm ² |
| ● 防呆键位 Poka-yoke |
| ● 32芯连接器 32 Core Connector |
| 性能参数 Specification |
| ● 额定电流 Rated Current: |
| 信号 Signal 2A(0.5/0.75mm ²) 5A(1mm ²) 10A(1.5mm ²) |
| ● 额定电压 Rated Voltage: |
| 信号 Signal 24V (AC/DC) |
| ● 耐电压 Dielectric Withstanding Voltage: |
| 信号 Signal 1000V AC 50HZ(常态Normal) |
| ● 工作温度 Temperature Range: -40℃ ~ +125℃ |
| ● 防护等级 IP Rating: IP67&IP6K9K |



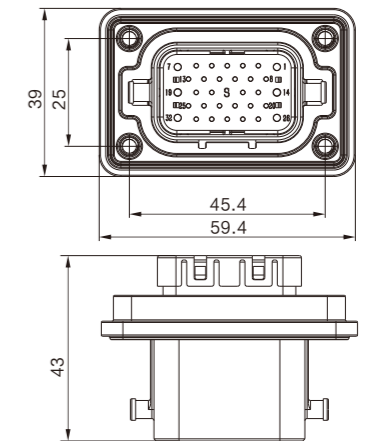
YGC1024-EV-S32P插头

YGC1024-EV-S32P Plug



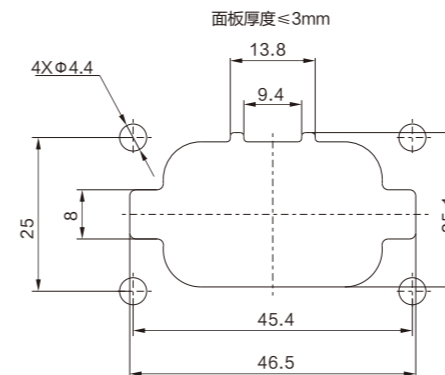
YGC1024-EV-P32R插座

YGC1024-EV-P32R Receptacle



YGC1024 32芯安装开孔尺寸

YGC1024 32-Pin Mounting Interface Design



高压连接器

电缆接头

信号连接器

手动维护开关

集成线束

高压盒

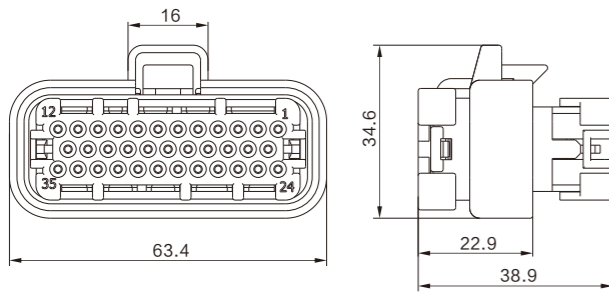
YG1146-35PIN

| |
|--|
| 应用范围 Application |
| ● 信号系统连接 Signal System |
| 产品描述 Description |
| ● 线径范围 Cable Range: 0.5 ~ 1.5mm ² |
| ● 防呆键位 Poka-yoke |
| ● 35芯连接器 35 Core Connector |
| 性能参数 Specification |
| ● 额定电流 Rated Current: |
| 信号 Signal 8A Max(0.5/1/1.5mm ²) |
| ● 额定电压 Rated Voltage: |
| 信号 Signal 24V (AC/DC) |
| ● 耐电压 Dielectric Withstanding Voltage: |
| 信号 Signal 1000V AC 50HZ(常态Normal) |
| ● 工作温度 Temperature Range: -40℃ ~ +125℃ |
| ● 防护等级 IP Rating: IP67&IP6K9K |



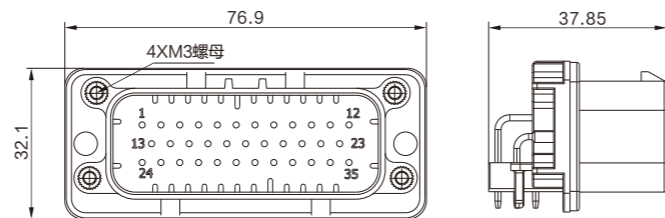
YG1146-EV-S35P插头

YG1146-EV-S35P Plug



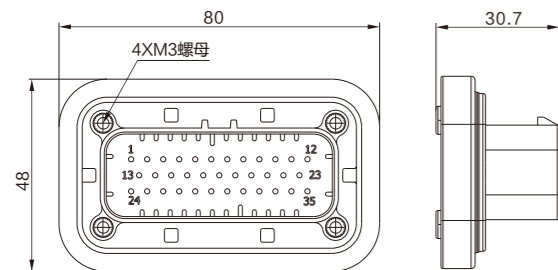
YG1146-EV-P35RW 插座

YG1146-EV-P35RW Receptacle



YG1146-EV-P35RWB 插座

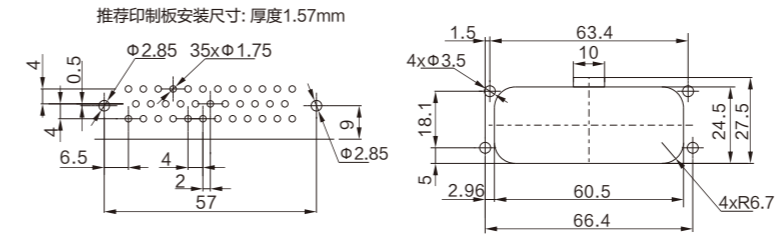
YG1146-EV-P35RWB Receptacle



YGC1146 35芯安装开孔尺寸

YGC1146 35-Pin Mounting Interface Design

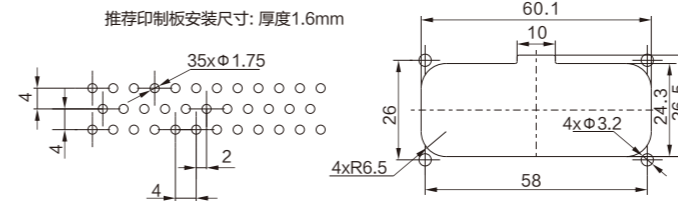
YGC1146-EV-P35RW



YGC1146 35芯安装开孔尺寸

YGC1146 35-Pin Mounting Interface Design

YGC1146-EV-P35RWB



高压连接器
High Voltage Connector

电缆接头
Cable Connector

信号连接器
Signal Connector

手动维护开关
Manual Service Disconnect

集成线束
Integrated Wiring Harness

高压盒
High Voltage Box

高压连接器
High Voltage Connector

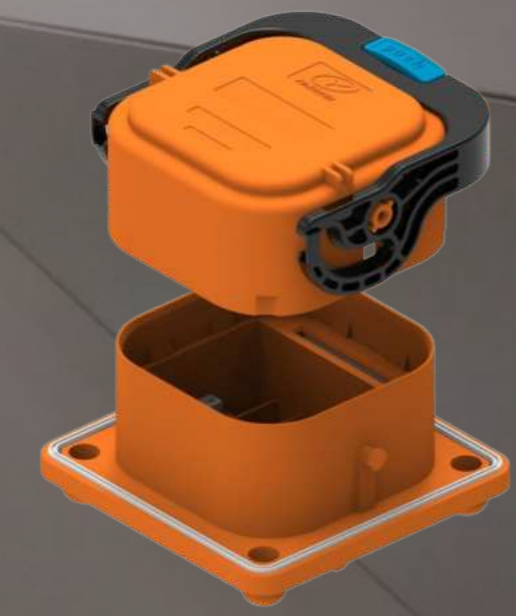
电缆接头
Cable Connector

信号连接器
Signal Connector

手动维护开关
Manual Service Disconnect

集成线束
Integrated Wiring Harness

高压盒
High Voltage Box



手动维护开关



MANUAL SERVICE DISCONNECTOR

手动维护开关

MANUAL SERVICE DISCONNECTOR



手动维护开关

MANUAL SERVICE DISCONNECTOR

应用范围 Application

- 电池包、高压盒 Battery Pack、PDU、BDU

YGC1040手动维护开关

YGC1040 Manual Service Disconnecter



YGC1130手动维护开关

YGC1130 Manual Service Disconnecter



YGC1052手动维护开关

YGC1052 Manual Service Disconnecter

插座后安装

Base Mounts From Inside Of Device-back Panel Mounting



插座前安装

Base Mounts From Outside Of Device-back Panel Mounting



性能参数 Specification

| 产品型号 Type | 二次锁紧 Secondary Lock Function | 防呆键位 Poka-yoke | 高压互锁 HVIL | 触电防护 Touch-proof | 额定电流 (A) Rated Current | 额定电压(V) Rated Voltage |
|--------------|---------------------------------|-------------------|--------------|---------------------|---------------------------|--------------------------|
| YG1040 | ✓ | ✓ | ✓ | ✓ | 250 | 750 |
| YG1052 | ✓ | | ✓ | ✓ | 200 | 750 |
| YG1130 | ✓ | ✓ | ✓ | ✓ | 400 | 1000 |

高压连接器
High Voltage Connector

电缆接头
Cable Connector

信号连接器
Signal Connector

手动维护开关
Manual Service Disconnecter

集成线束
Integrated Wiring Harness

高压盒
High Voltage Box

集成线束

INTEGRATED WIRING HARNESS

我司自主研发新型国标交流、直流、组合充电插座,可适配市面上符合国标的充电枪交互使用, 配套使用各大品牌高压连接器进行高压互连, 实现快速充电, 产品安全可靠、结构紧凑、快速充电、互换互配。

Our company independently developed new GB AC, DC, combined charging socket, which can be adapted to the charging gun in line with the national standard on the market for interactive use, supporting the use of various brands of high voltage connector for high voltage interconnection, to achieve fast charging, safe and reliable products, compact structure, fast charging, interchange and interoperability



集成线束



INTEGRATED WIRING HARNESS

交流插座总成

Ac Socket Assembly



直流插座线束总成

Dc Socket Wire Harness Assembly



交直流一体电插座总成

Ac And Dc Integrated Electrical Outlet Assembly



直流母线(含压缩机、充电机)线束总成

Dc Bus (including Compressor, Charger) Wire Harness Assembly



三相线电机线束总成

Three-phase Wire Motor Harness Assembly



压缩机线束总成

Compressor Wire Harness Assembly



MCU母线总成

Mcu Bus Assembly



充电机线束总成

Charger Wire Harness Assembly



高压连接器
High Voltage Connector

电缆接头
Cable Connector

信号连接器
Signal Connector

手动维护开关
Manual Service Disconnect

集成线束
Integrated Wiring Harness

高压盒
High Voltage Box

高压连接器
High Voltage Connector

三相线束总成

Three-phase Wire Harness Assembly



吉利线束总成

Geely Wire Harness Assembly



电缆接头
Cable Connector

五菱线束总成

Wuling Wire Harness Assembly



奇瑞线束总成

Chery Wire Harness Assembly



信号连接器
Signal Connector

比亚迪线束总成

BYD Wire Harness Assembly



手动维护开关
Manual Service Disconnect

集成线束
Integrated Wiring Harness

高压盒
High Voltage Box



高压盒

HIGH VOLTAGE BOX

高压盒

HIGH VOLTAGE BOX

配电系统 PDU、BDU

● Power distribution system PDU、BDU

放电盒



放电盒



放电盒

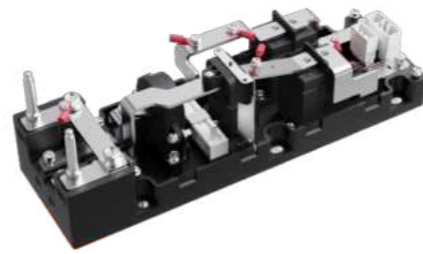


配电模块



BDU

BDU



PDU

PDU



PDU



PDU



PDU



PDU



高压连接器
High Voltage Connector

电缆接头
Cable Connector

信号连接器
Signal Connector

手动维护开关
Manual Service Disconnect

集成线束
Integrated Wiring Harness

高压盒
High Voltage Box

高压连接器
High Voltage Connector

电缆接头
Cable Connector

信号连接器
Signal Connector

手动维护开关
Manual Service Disconnect

集成线束
Integrated Wiring Harness

高压盒
High Voltage Box

新能源汽车领域主要合作伙伴

Partner in New Energy



比亚迪汽车



吉利汽车
GEELY AUTO



DFM
东风汽车



中国一汽



TOYOTA



中国中车
CRRC



长安汽车
CHANGAN



CHERY



东风日产



北汽集团
BAIC Group



上汽集团
SAIC MOTOR



长城汽车



HONDA



SERES
赛力斯

UAES

永 贵 连 接
Connectors of Yonggui

连 接 专 家
Connecting to specialists