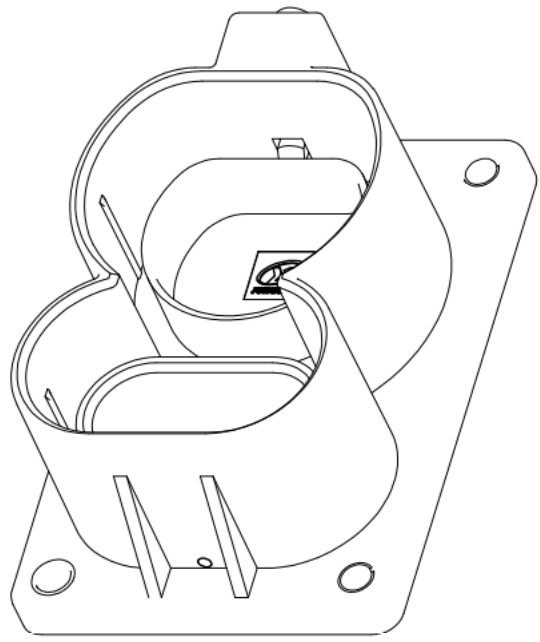
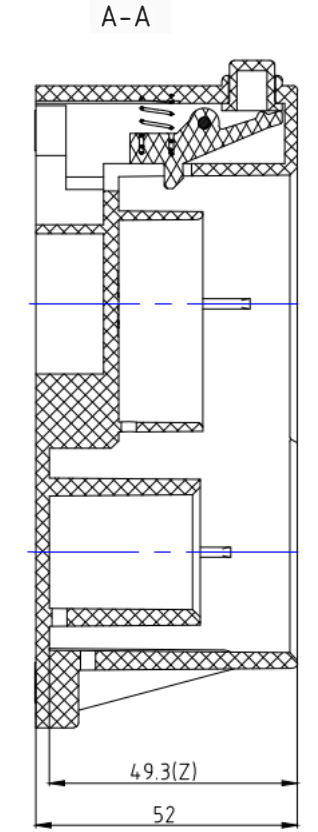
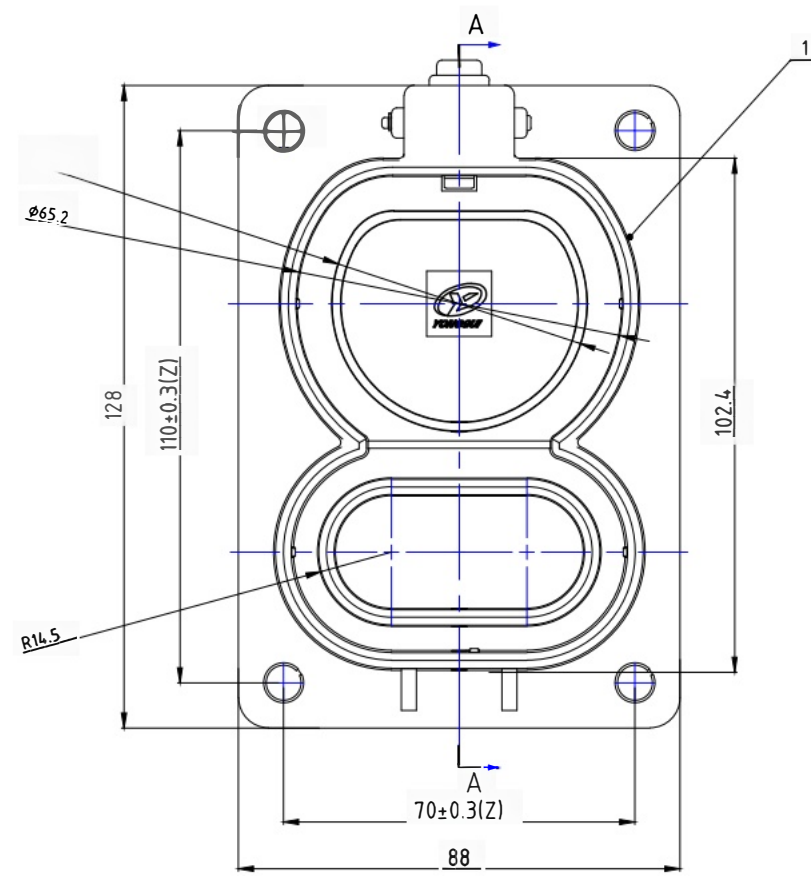
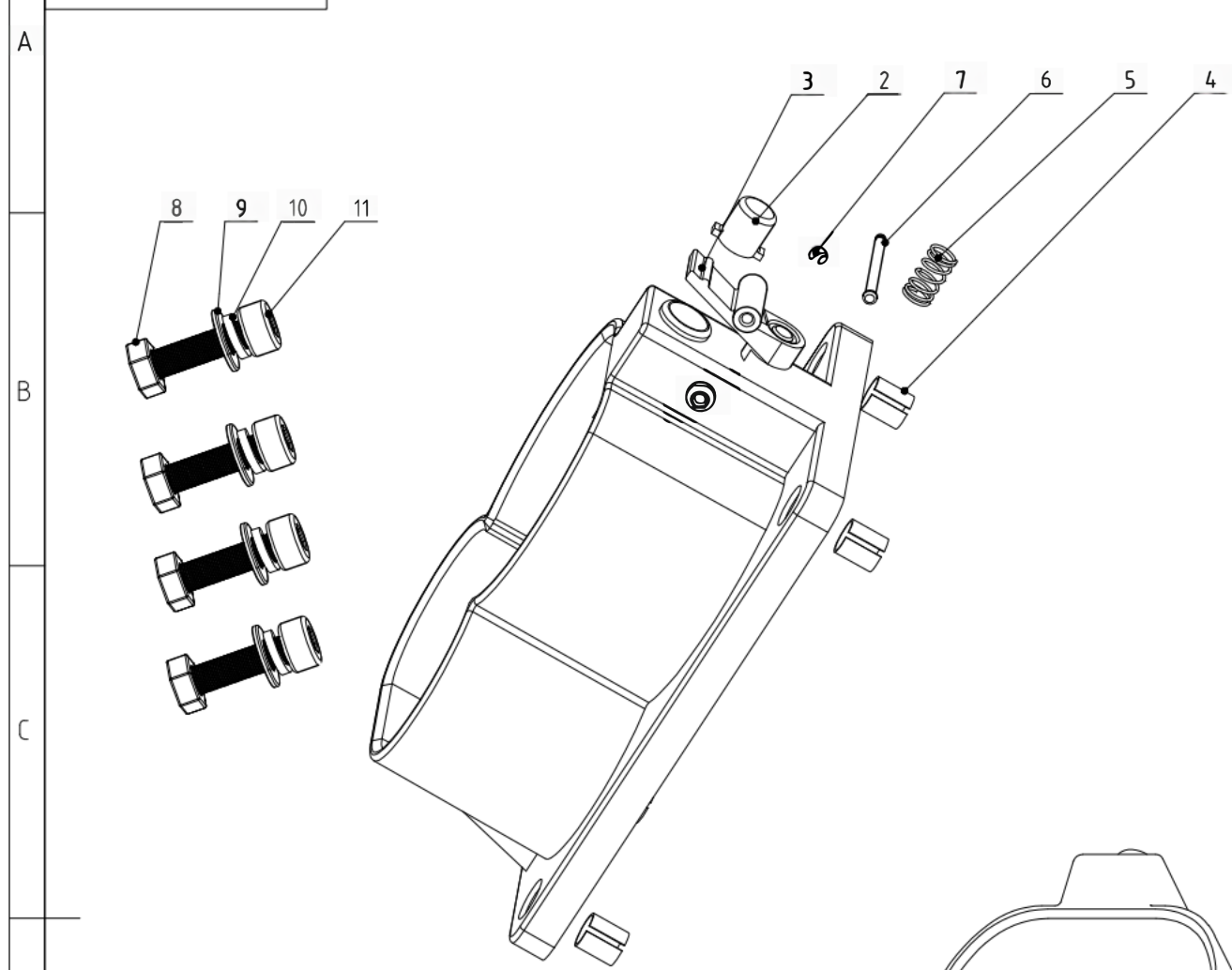


Barcode

标记	更改单号	版本	区域	说明
/	PLMJ2207200	D 0.C		结构变更较大, 无法描述, 详见更改通知单



Performance Index:

- 1.Environmental performance: Operating ambient temperature-30 ~+50
- 2.Service life: Plugging and unplugging 10,000 times
- 3.Interchangeability: Smooth insertion, no interference or stagnation

Technical requirements:

- 1.There are no obvious scratches, missing materials, shrinkage holes and other defects in the appearance.
- 2.Dimensions without tolerances are in accordance with GB/T1804-2000 m level;
- 3.The screw tightening torque shall be carried out in accordance with the corresponding process documents;
- Does not interfere with the mounting boss of the housing;
- 4.Part 4 (mounting hole screw sleeve) will not fall off after being assembled with the shell;
5. Item 11 (screw), item 10 (spring washer), item 9 (flat washer), Part 8 (nut) is packaged separately and shipped with the empty seat;
6. "(Z)" indicates the important dimensions and important characteristics of the parts. "(G)" refers to the key dimensions of the part and the key characteristics of the part;

序号 NO	编号 DRAWING No	产品编码 PART NO.	名称 DESCRIPTION	数量 QTY	单位 UNIT	材料 MATERIAL	单件重量 SINGLE MASS	总计重量 TOTAL MASS	备注 NOTE
11		501010100040	Hexagon socket head screw GB/T 70.1 M6X25	4	PC	Stainless steel	7.020	28.080	
10		501010400020	Spring washer GB/T 93 6	4	PC	Stainless steel	0.100	0.400	
9		501010300024	Flat washer GB/T 97.1 6	4	PC	A2	0.100	0.400	
8		501010200027	Type 1 hexagonal nut GB/T 617C M6	4	PC	A2-70	2.200	8.800	
7		501010700013	Open retaining ring GB/T 896 1.5	1	PC	Stainless steel			
6		114030800368	AC socket flip latch (new)	1	PC	304	1.160	1.160	
5		14039803785	Rubber button spring	1	PC	12Cr18Ni9 $\phi 0.6$	0.332	0.332	
4		13990001043	AC empty seat mounting hole screw sleeve	4	PC	0Cr19Ni9	0.470	1.880	
3		114069804794	Fixed parts	1	PC	TC.PA.PS28A TC5BK03A (Black)	1.812	1.812	
2		114069804795	European standard empty seat button	1	PC	6557/Transparent	0.503	0.503	
1		14060202686	Empty seat shell	1	PC	TC.PA.PS28A TC5BK03A (Black)	14.9334	14.9334	

重要度分级	B	涂覆 FINISH	
设计 DESIGN	付刚 2022.07.27	材料 MATERIAL	
审核 CHECKED	付刚 2022.08.05	名称 DESCRIPTION	YG1403欧标直流一体式空座组件
工艺 ENGINEER	付刚 2022.08.11	产品编码 PART NO.	111009802241
会签 COUNTER SIGN	付刚 2022.08.12	零件编号 PART NO.	YG1403-103-00-00KR
标准化 STANDARDIZATION	付刚 2022.08.05	投影关系 FIRST ANGLE PROJECTION	重量 MASS 幅面 SIZE 比例 SCALE 版本 EDIT ON
批准 APPROVAL	向晓东 2022.08.15	表面面积 SURFACE AREA	g A3 2:3 D 0.0
客户 CUSTOMER			第 1 页 共 1 页

THIS DRAWING IS SUPPLIED FOR INFORMATION ONLY. DESIGN FEATURES, SPECIFICATIONS AND PERFORMANCE DATA SHOWN HEREON ARE THE PROPERTY OF THE YONGGUI. NO RIGHTS OF REPRODUCTION ARE IMPLIED.

